




# Ultra<sup>®</sup> Platinum Sprayers

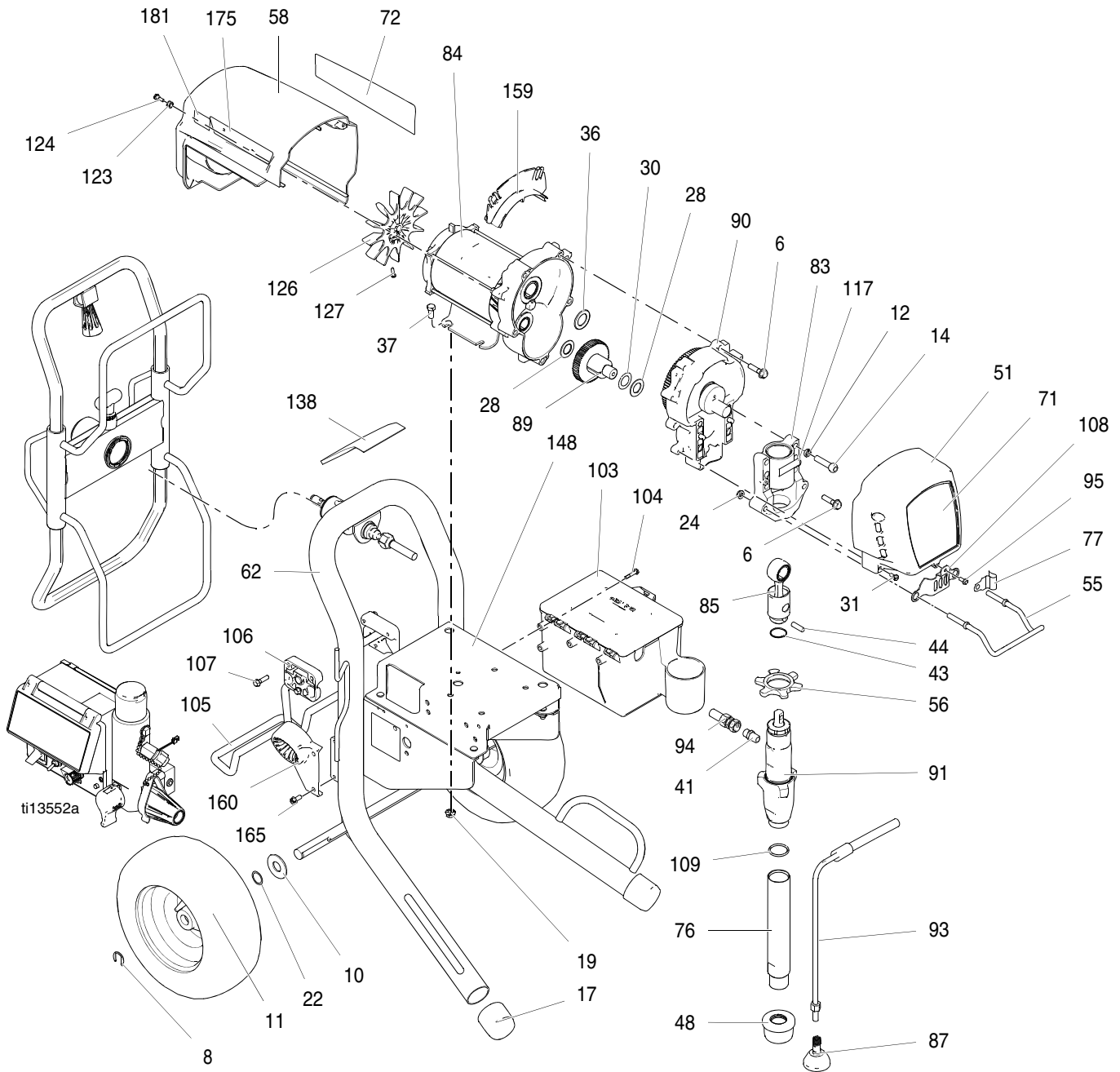
313565E rev.b

*- For Portable Airless Spraying of Architectural Coatings and Paints -*

## Models

Vac	Model	Hi-Boy
<b>240 Europe</b> 	695	257034
	795	257037
	1095	257040
	Mark V	257043
<b>240 Europe Multi-Cord</b> 	695	257035
	795	257038
	1095	257041
	Mark V	257044
<b>110 UK</b> 	695	257036
	795	257039
	1095	257042
	Mark V	257045

# Parts - 695 / 795

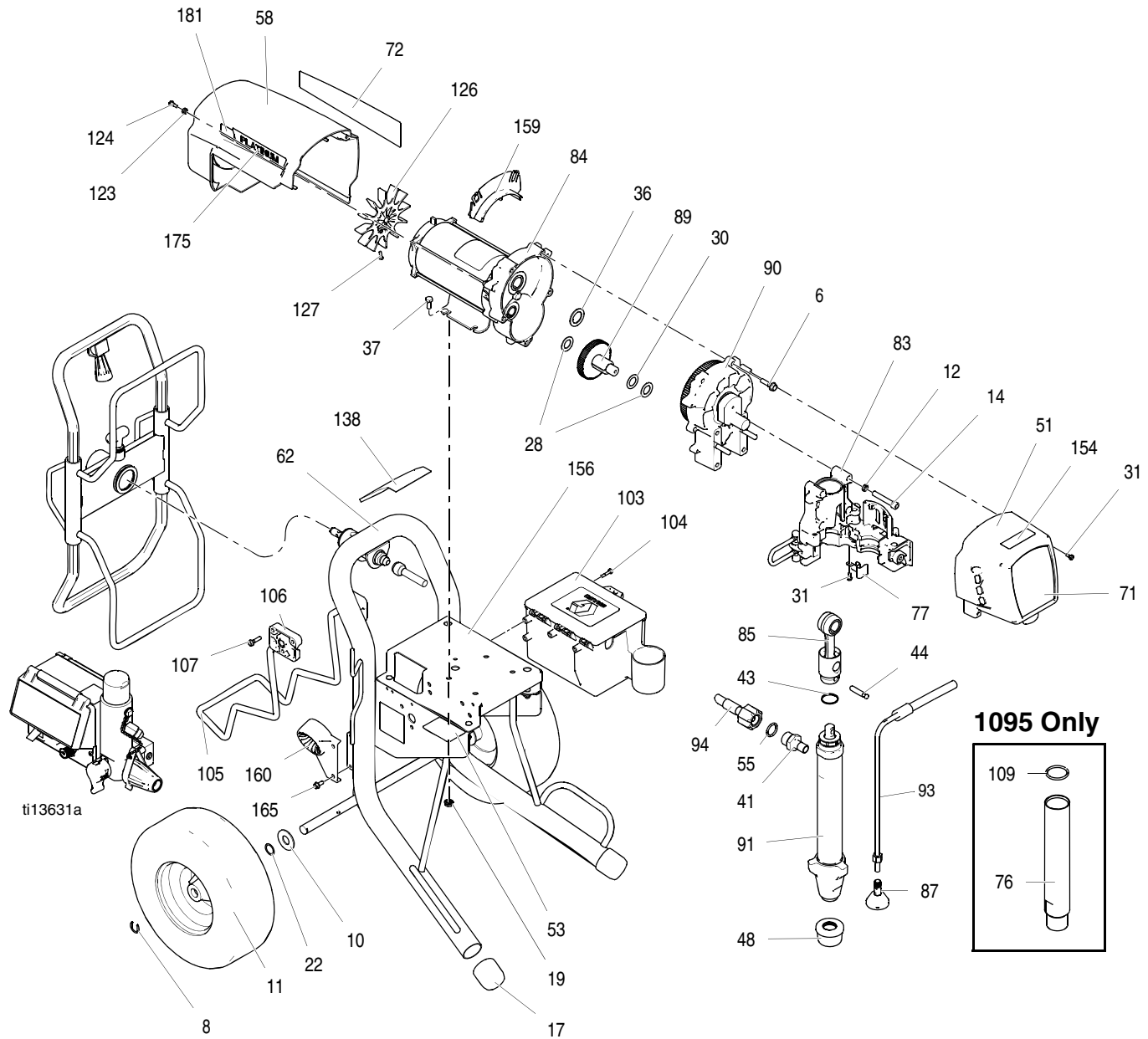


## Parts List - 695 / 795

Ref.	Part	Description	Qty.	Ref.	Part	Description	Qty.
6	15C753	SCREW, mach, hex wash hd	5	87	241920	DEFLECTOR, threaded	1
8	15E891	CLIP, retaining	2	89	287289	GEAR, combination	1
10	156306	WASHER, flat	2	90		HOUSING, drive, m1	1
11	119420	WHEEL, pneumatic	2		287283	695 Models	
12	106115	WASHER, lock (hi-collar)	4		287284	795 Models	
14	110141	SCREW, cap, sch	4	90a	107089	WASHER, thrust	1
17	276974	CAP, leg	2	91	248204	PUMP, displacement, (695/795)	1
19	110996	NUT, hex, flange head	8	93	248217	HOSE, drain, hi-boy	1
22	116038	WASHER, wave spring	2	94	15D049	HOSE, coupled, 1/4 x 15.75	1
24	112746	NUT, lock, nylon, thin pattern	2	95	114000	SCREW, mach, hex wash hd	1
28	114672	WASHER, thrust	2	103	287253	TOOLBOX (includes 104)	1
30	114699	WASHER, thrust	1	104	118852	SCREW, thd forming, hex washer	3
31	118444	SCREW, mach, slot hex wash hd	4	105	15Y454	BAR, kick stand	1
36	116191	WASHER, thrust, (1095/795)	1	106	15C982	CAM, cart	2
37	100057	SCREW, cap, hex hd	4	107	114531	SCREW, mach, hex washer hd	4
41	162453	FITTING, (1/4 npsm x 1/4 npt)	1	108	15C859	SHIELD, pump rod	1
43	176817	SPRING, retaining	1	109	118494	PACKING, o-ring	1
44	176818	PIN, str, hdls	1	117	187437	LABEL, torque	1
48	189920	STRAINER, (1-11 1/2 npsm)	1	123	276980	GROMMET, cover	2
51	15W630	COVER, drive, chrome	1	124	119250	SCREW, shoulder	2
55	192719	HANGER	1	126	15D088	FAN, motor	1
56	192723	NUT, retaining	1	127	115477	SCREW, mach, torx pan hd	1
58		SHIELD, motor, chrome	1	128▲	222385	TAG, warning	
	15W631	695 Models		136	195767	LABEL, warning, st	1
	15W632	795 Models		138	243301	LABEL, set, stpro, int'l (Models	1
62	24A909	FRAME, platinum, 695/795	1			257034, 257035, 257037, 257038)	
71		LABEL, brand, front	1	148	288899	SHELF, pem assembly	1
	15K374	695 Models		159	278075	BRACKET, wire	1
	15D068	795 Models		160	278083	GUIDE, hose, ultra platinum	1
72		LABEL, brand, side	1	165	117633	SCREW, slot hex wash hd	2
	15K381	695 Models		175	15W980	LABEL, platinum shroud	2
	15D069	795 Models		181	15Y118	LABEL, Made in the USA	1
76	248214	TUBE, intake	1				
77	197124	CLIP, spring	1				
83	240523	HOUSING, bearing	1				
84		MOTOR, electric, c104 695	1				
	257185	695 Models					
	257186	795 Models					
85	241008	ROD, connecting (includes 43)	1				

▲ Extra Danger and Warning tags and labels are available at no cost.

# Parts - 1095 / Mark V

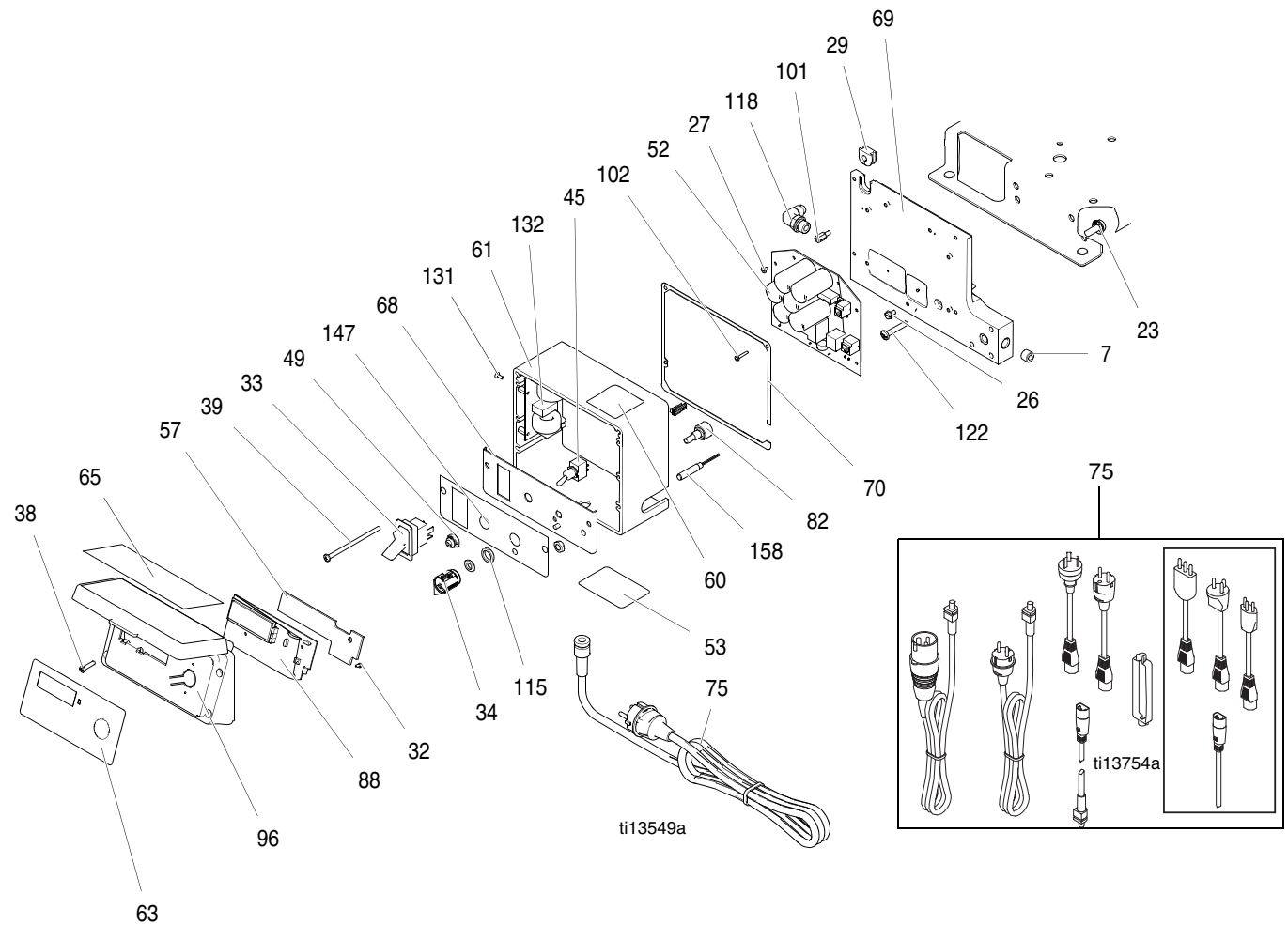


## Parts List - 1095 / Mark V

Ref.	Part	Description	Qty.	Ref.	Part	Description	Qty.
6	15C753	SCREW, mach, hex wash hd	5		287295	Model 257040, 257041, 257043, 257044	
8	15E891	CLIP, retaining	2		287294	Model 257042, 257045	
10	156306	WASHER, flat	2	91		PUMP, displacement, hd, Mark V	1
11	119509	WHEEL, pneumatic	2		287513	1095 Models	
12	106115	WASHER, lock (hi-collar)	4		287928	Models 257043, 257044	
14	114666	SCREW, cap, socket head	4		287929	Model 257045	
17	276974	CAP, leg	2	93	248217	HOSE, drain, hi-boy	1
19	110996	NUT, hex, flange head	8	94		HOSE, coupled, 1/2 in.	1
22	116038	WASHER, wave spring	2		288658	1095 Models	
24	15F116	LATCH, handle	1		288659	Mark V Models	
28	114672	WASHER, thrust	2	103	287253	TOOLBOX (includes 104)	1
30	114699	WASHER, thrust	1	104	118852	SCREW, thd forming, hex washer	3
31	118444	SCREW, mach, slot hex wash hd	5	105	15Y455	BAR, kick stand	1
36	116192	WASHER, thrust, (1595)	1	106	15C982	CAM, cart	2
37	100057	SCREW, cap, hex hd	4	107	114531	SCREW, mach, hex washer hd	4
41		FITTING, pump, quick disconnect	1	108	15F503	SCREW, set, socket head	1
	15E802	1095 Models		109	118494	O-RING, packing (1095 Models)	1
	15G880	Mark V Models		118	120185	FITTING, hydraulic	1
43	119778	SPRING, retaining	1	123	276980	GROMMET, cover	2
44	15F110	PIN, pump, 5900	1	124	119250	SCREW, shoulder	2
48	189920	STRAINER, (1-11 1/2 npsm)	1	126	15D088	FAN, motor	1
51	15W633	COVER, drive, chrome	1	127	115477	SCREW, mach, torx pan hd	1
55		O-RING	1	128▲	222385	TAG, warning	1
	119790	1095 Models		136	195767	LABEL, warning, st	1
	C20195	Mark V Models		138	243301	LABEL, set, stpro, int'l (Models 257040, 257041, 257043, 257044)	1
56	15F498	SCREW, adjustment	1	139	15E625	PIN, housing, bearing	1
58	15W632	SHIELD, motor, chrome	1	140	15G890	LATCH, bearing housing	1
62	24A910	FRAME, platinum, 1095/Mark V	1	141	111040	NUT, lock, insert, nylock, 5/16	2
71		LABEL, front	1	147	15X903	LABEL, Euro ultra platinum wo wd	1
	15D071	1095 Models		151	109450	PACKING, o-ring	1
	15F117	Mark V Models		152	15G584	RECEIVER, clamp	1
72		LABEL, side	1	153	116942	SCREW, shoulder, socket head	1
	15D072	1095 Models		154	15F584	LABEL, proconnect	1
	15F118	Mark V Models		156	288899	SHELF, ultra, pem assembly	1
76	249122	TUBE, intake (1095 Models)	1	159	278075	BRACKET, wire	1
77	15E975	CLIP, spring	1	160	278083	GUIDE, hose, ultra platinum	1
83	287933	HOUSING, bearing (5900)	1	165	117633	SCREW, slot hex wash hd	2
84	257187	MOTOR, electric, c104 1095	1	175	15W980	LABEL, platinum shroud	2
85	241279	ROD, connecting (5900) includes 43	1	181	15Y118	LABEL, Made in the USA	1
87	241920	DEFLECTOR, threaded	1				
89	287290	GEAR, combination, 1595	1				
90		HOUSING, drive (includes 6, 36)	1				

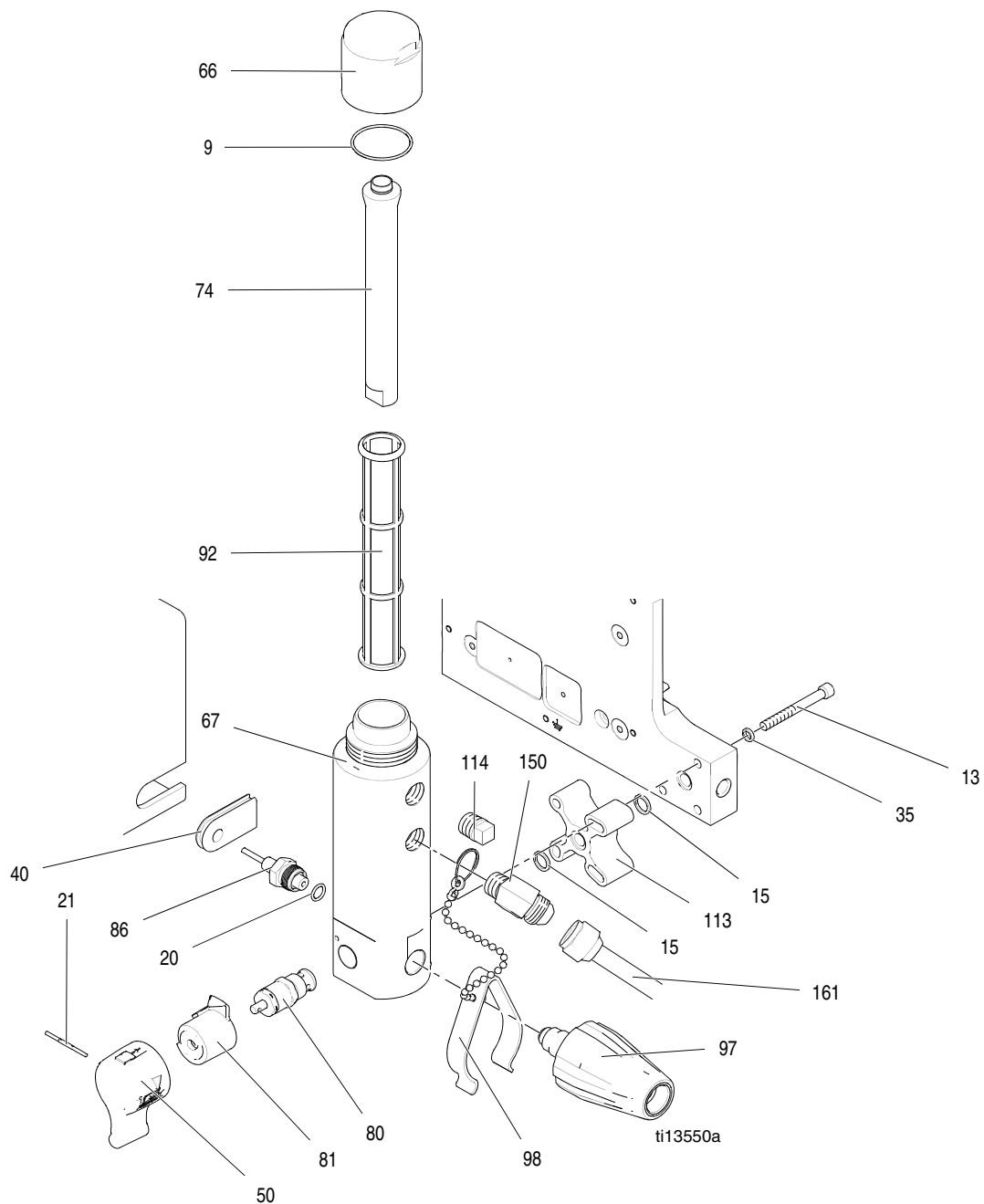
▲ Extra Danger and Warning tags and labels are available at no cost.

# Parts - Control Box



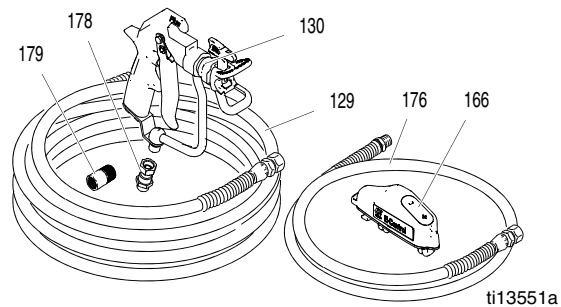
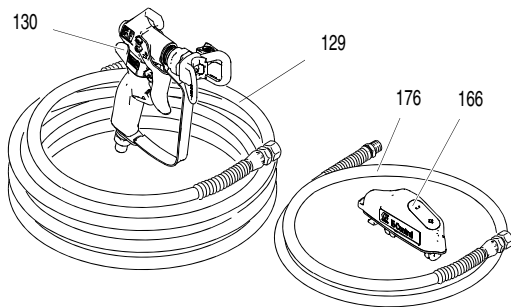
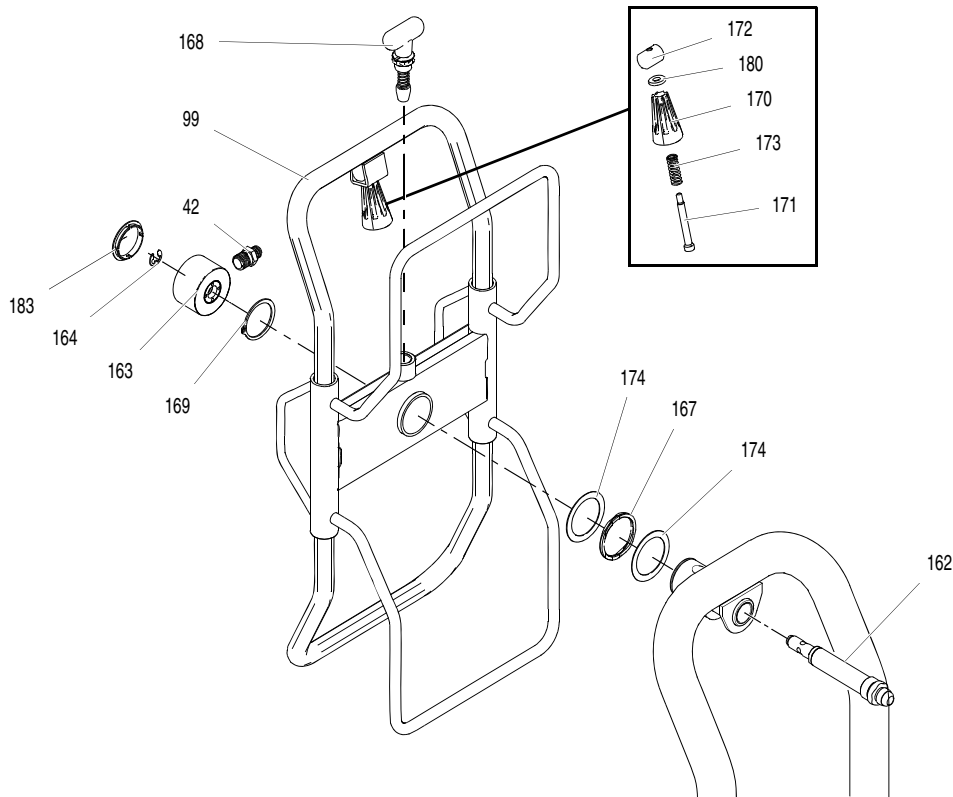
Ref.	Part	Description	Qty.	Ref.	Part	Description	Qty.
7	100721	PLUG, pipe	1	70	15D036	GASKET, control box	1
23	110963	SCREW, cap, flange head	2	75		CORD, power, 240V	1
26	114391	SCREW, grounding	1		15D528	Models 257034, 257037, 257040, 257043	
27	113045	SCREW, sems, mach, phillips	6		15D529	Models 257035, 257038, 257041, 257044	
29	15V996	GROMMET, motor lead	1		15D530	Models 257036, 257039, 257042, 257045	
32	115522	SCREW, mach, pnh	3	82	256219	POTENTIOMETER, assembly	1
33		SWITCH, rocker, 240V	1	88	256229	CONTROL, board, receiver	1
	15D527	Models 257034, 257035, 257037, 257038, 257040, 257041, 257043, 257044		96	244032	COVER, control	1
	15C979	Models 257036, 257039, 257042, 257045		101	15V938	STUD, control board	6
34	116167	KNOB, potentiometer	1	102	114420	SCREW, mach, pnh, sems, phillips	2
38	116252	SCREW, #10, tapitite phil	4	115	122725	GASKET	1
39	112381	SCREW, mach, pan head	4	118		FITTING	1
45	119541	SWITCH, toggle (695/795/1095 Models)	1		116793	695/795/1095 Models	
49	195428	BOOT, toggle (695/795/1095 Models)	1		120185	Mark V Models	
52		CONTROL, board	1	122	115478	SCREW, mach, torx/slt pan hd	1
	257449	Models 257034, 257035, 257037, 257038, 257040, 257041, 257043, 257044		131	119228	SCREW, mach, flat hd	4
	257448	Models 257036, 257039, 257042, 257045		132	248220	FILTER, board	1
57	15X893	PAD, foam	1	137	195551	RETAINER, plug, adapter (Models 257035, 257038, 257041, 257044)	
60	195793	LABEL, warning	1	143	287121	CORD SET (Models 257035, 257038, 257041, 257044)	1
61	15D431	BOX, control, 240V	1		147	LABEL, Euro platinum control	1
63	15X508	LABEL, brand, Smartcontrol LCD	1		15X553	695/795/1095 Models	
65	15X507	LABEL, brand, Smartcontrol	1		15X903	Mark V Models	
68	15X480	PANEL, control	1	158	122507	SWITCH, reed	1
69	15V937	PLATE, power bar	1	184	122725	GASKET, sealing	1

# Parts - Filter



Ref.	Part	Description	Qty.	Ref.	Part	Description	Qty.
9	117285	PACKING, o-ring	1	92		FILTER, fluid	
13	C19817	SCREW, cap, socket head	3	244071		30 mesh	1
15	121513	PACKING, square ring	2	244067		60 mesh, original equipment	1
20	111457	PACKING, o-ring	1	244068		100 mesh	1
21	15C972	PIN, grooved	1	244069		200 mesh	1
35	105510	WASHER, lock, spring (hi-collar)	3	97	287293	VALVE, AutoClean; includes 97a	1
40	15D033	GROMMET, transducer	1	97a	15F950	GASKET	1
50	24B218	HANDLE, valve, prime, Autoclean	1	244346		KIT, repair, clamp, trigger	1
66	15C765	CAP, filter	1	113	15F844	SPACER, manifold	1
67	15C838	BASE, filter	1	114	104813	PLUG, pipe	1
74	15C766	TUBE, diffusion	1	150	122533	FITTING, 45 deg elbow, #8 jic x 3/8	1
80	24A381	VALVE, prime, heavy duty	1	161		TUBE, formed, ultra platinum	1
81	24A382	BASE, valve, heavy duty	1	15X481		695/795 Models	
86	243222	TRANSDUCER, pressure control	1	15X489		1095/Mark V Models	

# Parts - Hose Reel



ti13551a

Ref.	Part	Description	Qty.
42		ADAPTER	1
	164672	695/795/1095 Models	
	162485	Mark V Models	
99	24B691	REEL, hose, platinum	1
129		HOSE, coupled, 3/8 x 50	1
	240794	695/795/1095 Models	
	240797	Mark V Models	
130		GUN, spray, texture, unpackaged	1
	288475	695/795/1095 Models	
	241705	Mark V Models	
162	24B608	SHAFT, swivel	1
163	24B248	CAP, swivel, complete	1
164	122347	RING, retaining, external	1
166	24B194	TRANSMITTER, pressure, remote	1
167	122534	SPRING, wave	1

Ref.	Part	Description	Qty.
168	122517	PIN, pop, lock out	1
169	122524	RING, retaining, external	1
170	278085	HANDLE, swivel	1
171	122518	SCREW, shoulder, sch	1
172	15X618	NUT, swivel, handle	1
173	122542	SPRING, die	1
174	122607	WASHER, flat	2
176		HOSE, cpld, 1/4 in. x 3 ft	1
	240794	695/795/1095 Models	
	241735	Mark V Models	
178	189018	SWIVEL, 5800 psi (Mark V Models)	1
179	159841	BUSHING, 7250 psi, 3/8 x 1/4 (Mark V Models)	1
180	122669	WASHER, flat	1





*All written and visual data contained in this document reflects the latest product information available at the time of publication.  
Graco reserves the right to make changes at any time without notice.*

*This manual contains English. MM 313565*

**Graco Headquarters:** Minneapolis

**International Offices:** Belgium, China, Japan, Korea

**GRACO INC. P.O. BOX 1441 MINNEAPOLIS, MN 55440-1441**

Copyright 2008, Graco Inc. is registered to I.S. EN ISO 9001

[www.graco.com](http://www.graco.com)