




Parts List



Ultra[®] Max II

311363H

3300 psi (228 bar, 22.8 MPa) Maximum Working Pressure

Vac	Model	Lo-Boy	Hi-Boy
240 Europe 	695	255134	249663
	795		249666 253419
	795 Plus		256165
	1095		249667
	Mark V		249905
	Mark V Plus		256166
240 Europe Multi-cord 	695	255135	249668
	795		249671 253420
	1095		249672
	Mark V*		249907
240 Asia	695	255138	249681
	795		249683
	1095		249684
240 Australia/New Zealand (ANZ) 	695	255139	249685
	795	255140	249687
	1095		249688

PROVEN QUALITY. LEADING TECHNOLOGY.



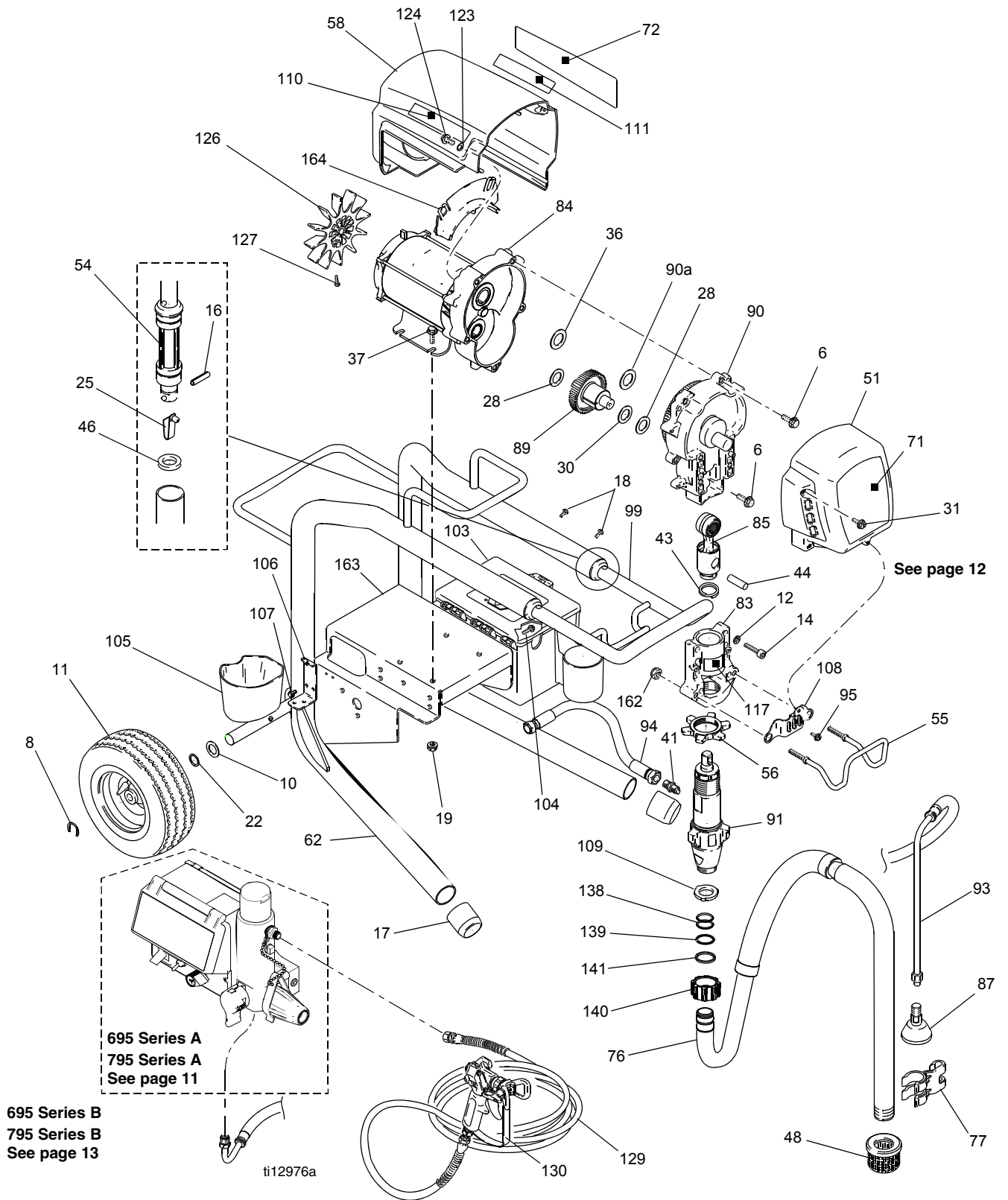
Parts List: Ultra Max II 695/795 Lo-Boy

Ref.	Part No.	Description	Qty.	Ref.	Part No.	Description	Qty.
6	15C753	SCREW, mach, torx, hex	5	89	287289	GEAR, combination; <i>includes 28, 30</i>	1
8	15E891	CLIP, retaining	2				
10	156306	WASHER, flat	2	90		HOUSING, drive, M1; <i>includes 6, 36, 90a</i>	1
11*	119420	WHEEL, pneumatic	2				
12	106115	WASH, lock, spring	4		287283	695	
14	107210	SCREW, cap, socket hd	4		287284	795	
16	101354	PIN, spring, straight	2	90a	107089	WASHER, thrust	1
17	15C871	CAP, leg	2	91	248204	PUMP, displacement 695; <i>includes 109, Manual 310643</i>	1
18	109032	SCREW, mach, pnh	4				
19	110996	NUT, hex, flanged	4	93	248217	HOSE, drain; <i>includes 87</i>	1
22	116038	WASHER, wave spring	2	94	15D049	HOSE, coupled, 1/4 x 15.75	1
23	110963	SCREW, cap, flng hd	2	95	114000	SCREW, control housing	1
25	112827	BUTTON, snap	2	99	288448	HANDLE, cart	1
28	114672	WASHER, thrust	2	103	287253	TOOL BOX; <i>includes 104</i>	1
30	114699	WASHER, thrust	1	104	118852	SCREW, machine, hex washer	3
31	118444	SCREW, machine, hex washer hd	4	105	276975	CUP, drain	1
36	116191	WASHER, thrust	1	106	15F952	BRACKET, drain cup	1
37	100057	SCREW, cap, hex hd	4	107	114423	SCREW, mach, hex hd	2
41	162453	FITTING, (1/4 NPSM x 1/4 NPT)	1	108	15C859	SHIELD, pump rod	1
43	176817	SPRING, retaining	1	109	115099	WASHER, garden hose	1
44	176818	PIN, str, hdls	1	110	15D722	LABEL, premium, left	1
46	183350	WASHER	2	111	15D721	LABEL, premium, right	1
48	189920	STRAINER, (1-11 1/2 NPSM)	1	117	187436	LABEL, torque	1
51	287291	COVER, drive, plastic, painted; <i>includes 31, 95</i>	1	123	276980	GROMMET, cover	2
				124	119250	SCREW, shoulder, hex washer	2
54	192027	SLEEVE, cart	2	126	15D088	FAN, motor	1
55	15D416	HANGER, pail	1	127	115477	SCREW, mach, torx, pan hd	1
56	192723	NUT, retaining	1	128▲	222385	TAG, WARNING (not shown)	1
58		SHIELD, motor, painted; <i>includes 123, 124</i>	1	129	240794	HOSE, cpld, 1/4 in. x 60 ft	1
				130		GUN Manual 309639	1
	287281	695			288475	Europe	
	287282	795			246220	ANZ	
62	288898	FRAME, cart	1		288427	Asia	
71		LABEL, UltraMax II 695/795	1	138	117559	O-RING	2
	15K374	695		139	118505	RING, retaining, external	1
	15D068	795		140	15C980	NUT, jam	1
72		LABEL, UltraMax II 695/795	1	141	15C981	WASHER, suction swivel	1
	15K381	695		162	112746	NUT, hex	2
	15D069	795		163	288899	SHELF, PEM assembly	1
76	248216	HOSE, suction; <i>includes 109, 138, 139, 140, 141</i>	1	164	278075	BAFFLE	1
77	15D000	CLIP, drain line	1	170▲	243301	LABEL, set, stpro, int'l	1
83	240523	HOUSING, bearing; <i>includes 162, 55</i>	1	172	238358	HOSE, cpld, 3/16 in. x 3 ft	1
84		MOTOR, electric	1				
	287241	695 Series A					
	257185	695 Series B					
	287242	795 Series A					
	257186	795 Series B					
85	241008	ROD, connecting; <i>includes 43</i>	1				
87	241920	DEFLECTOR, threaded	1				

* 253132 KIT, repair, tube, 11 in.

▲ Extra Danger & Warning tags & labels available free.

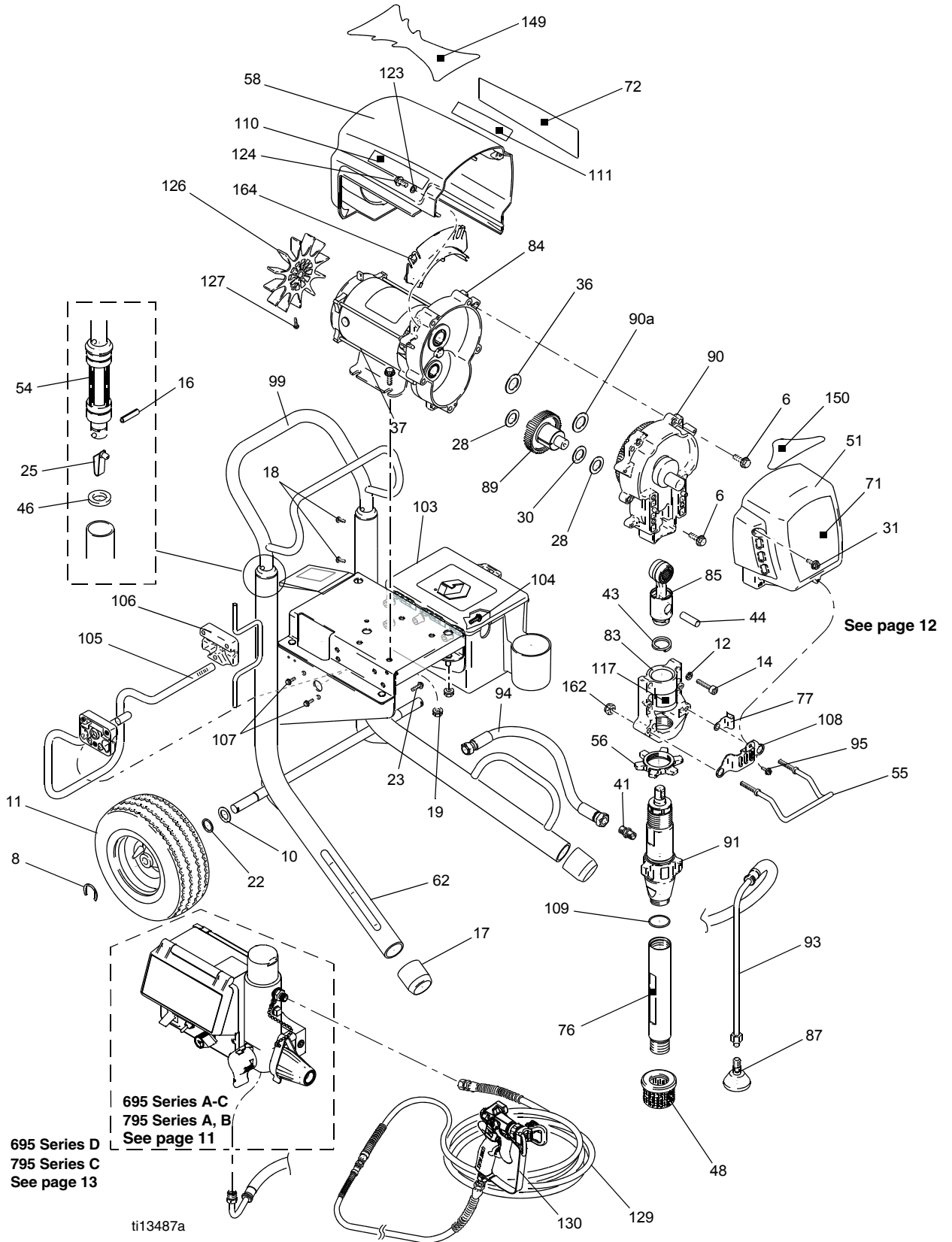
Parts Drawing: 695/795 Lo-Boy



Parts List: Ultra Max II 695/795 Hi-Boy

Ref.	Part No.	Description	Qty.	Ref.	Part No.	Description	Qty.
6	15C753	SCREW, mach, torx, hex	5	85	241008	ROD, connecting; <i>includes 43</i>	1
8	15E891	CLIP, retaining	2	87	241920	DEFLECTOR, threaded	1
10	156306	WASHER, flat	2	89	287289	GEAR, combination;	1
11*	119420	WHEEL, pneumatic	2			<i>includes 28, 30</i>	
12	106115	WASH, lock, spring	4	90		HOUSING, drive, M1;	1
14	107210	SCREW, cap, socket hd	4			<i>includes 6, 36, 90a</i>	
16	101354	PIN, spring, straight	2		287283	695	
17	15C871	CAP, leg	2		287284	795	
18	109032	SCREW, mach, pnh	4	90a	107089	WASHER, thrust	1
19	110996	NUT, hex, flanged	8	91	248204	PUMP, displacement 695/795;	1
22	116038	WASHER, wave spring	2			<i>includes 109, Manual 310643</i>	
23	110963	SCREW, cap, flng hd	2	93	244240	HOSE, coupled; <i>includes 87</i>	1
25	112827	BUTTON, snap	2	94	15D049	HOSE, coupled, 1/4 x 15.75	1
28	114672	WASHER, thrust	2	95	114000	SCREW, control housing	1
30	114699	WASHER, thrust	1	99	245245	HANDLE, cart	1
31	118444	SCREW, machine, hex washer hd	4	103	287253	TOOLBOX; includes 104	1
36	116191	WASHER, thrust	1	104	118852	SCREW, hex washer hd	3
37	100057	SCREW, cap, hex hd	4	105	15D281	HANGER, stand, cart	1
41	162453	FITTING, (1/4 NPSM x 1/4 NPT)	1	106	15C982	CAM, cart	2
43	176817	SPRING, retaining	1	107	114531	SCREW, mach, hex washer	4
44	176818	PIN, str, hdls	1	108	15C859	SHIELD, pump rod	1
46	183350	WASHER	2	109	118494	PACKING, o-ring	1
48	189920	STRAINER, (1-11 1/2 NPSM)	1	110	15D722	LABEL, premium, left	1
51	287291	COVER, drive, plastic, painted;	1	111	15D721	LABEL, premium, right	1
		<i>includes 31, 95</i>		117	187436	LABEL, torque	1
54	192027	SLEEVE, cart	2	123	276980	GROMMET, cover	2
55	192719	HANGER, pail	1	124	119250	SCREW, shoulder, hex, washer	2
56	192723	NUT, retaining	1	126	15D088	FAN, motor	1
58		SHIELD, motor, painted;	1	127	115477	SCREW, mach, torx, pan, hd	1
		<i>includes 123, 124</i>		128▲	222385	TAG, WARNING (not shown)	1
	287281	695		129	240794	HOSE, cpld, 1/4 in. x 50 ft	1
	287282	795		130		GUN (Manual 309639)	1
62	288605	FRAME, cart	1		288475	Europe	
71		LABEL, UltraMax II 695/795	1		246220	ANZ	
	15K374	695			288427	Asia	
	15D068	795		149	15T569	LABEL, shroud top	1
	15T428	795 Plus	1	150	15T570	LABEL, crown	1
72		LABEL, UltraMax II 695/795	1	162	112746	NUT, hex	2
	15K381	695		163	288899	SHELF, PEM, assy	1
	15D069	795		164	278075	BAFFLE	1
	15T429	795 Plus		170▲	243301	LABEL, set, stpro, int'l	1
76	248214	TUBE, intake; <i>includes 109</i>	1	172	238358	HOSE, cpld, 3/16 in. x 3 ft	1
77	197124	CLIP, spring	1				
83	240523	HOUSING, bearing;	1			<i>* 253132 KIT, repair, tube, 11 in.</i>	
		<i>includes 55, 162</i>					
84		MOTOR, electric	1			▲ <i>Extra Danger & Warning tags & labels available free.</i>	
	287241	695 Series A - C					
	257185	695 Series D					
	287242	795 Series A, B					
	257186	795 Series C					

Parts Drawing: 695/795 Hi-Boy



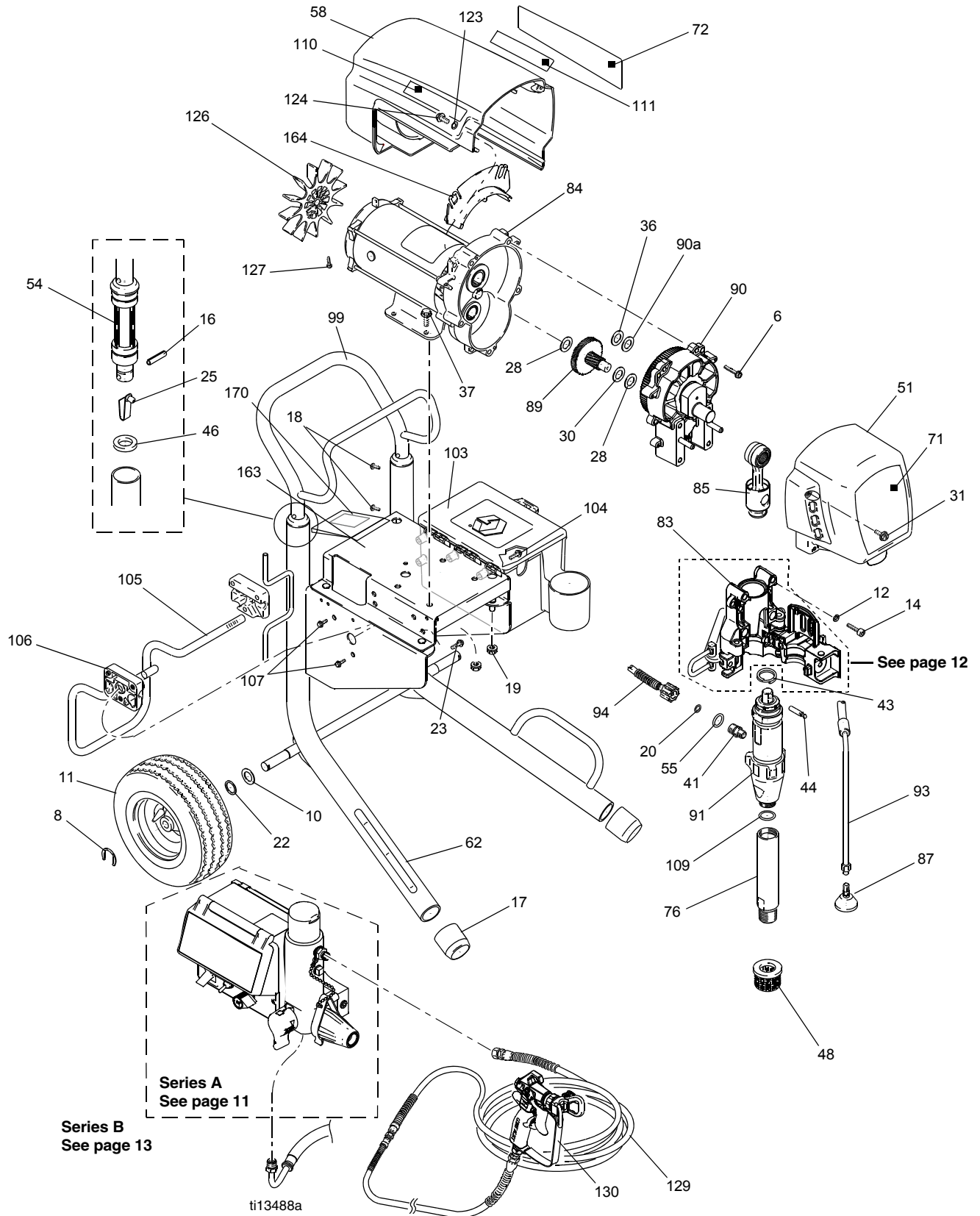
Parts List: UltraMax II 1095

Ref.	Part No.	Description	Qty.	Ref.	Part No.	Description	Qty.
6	15C753	SCREW, mach, torx, hex	5	89	287290	GEAR, combination; <i>includes 28, 30</i>	1
8	15E891	CLIP, retaining	2	90	287295	HOUSING, drive, M1; <i>includes 6, 36, 90a</i>	1
10	156306	WASHER, flat	2	90a	114671	WASHER, thrust	1
11*	119509	WHEEL, pneumatic	2	91	287513	PUMP, displacement; <i>includes 41, 76, 109, Manual 310894</i>	1
12	106115	WASH, lock, spring	4	93	287952	HOSE, drain; <i>includes 87</i>	1
14	114666	SCREW, cap, socket hd	4	94	287803	HOSE, coupled	1
16	101354	PIN, spring, straight	2	99	245245	HANDLE, cart	1
17	276974	CAP, leg	2	103	287253	TOOLBOX; <i>includes 104</i>	1
18	108795	SCREW, mach, pnh	4	104	118852	SCREW, hex washer hd	3
19	110996	NUT, hex, flanged	8	105	15C858	HANGER, stand, cart	1
22	116038	WASHER, wave spring	2	106	15C982	CAM, cart	2
23	110963	SCREW, cap, flng hd	2	107	114531	SCREW, mach, hex washer	4
25	112827	BUTTON, snap	2	109	118494	PACKING, o-ring	1
28	114672	WASHER, thrust	2	110	15D722	LABEL, premium, left	1
30	114699	WASHER, thrust	1	111	15D721	LABEL, premium, right	1
31	118444	SCREW, machine, hex washer hd	4	123	276980	GROMMET, cover	2
36	116192	WASHER, thrust	1	124	119250	SCREW, shoulder, hex, washer	2
37	100057	SCREW, cap, hex hd	4	126	15D088	FAN, motor	1
41	15E802	FITTING, pump, quick disc	1	127	115477	SCREW, mach, torx, pan, hd	1
43	119778	SPRING, retaining	1	128▲	222385	TAG, WARNING (not shown)	1
44	15F110	PIN, pump	1	129	240794	HOSE, cpld, 1/4 in. x 50 ft	1
46	183350	WASHER	2	130		GUN Manual 309639	1
48	189920	STRAINER, (1-11 1/2 NPSM)	1		288475	Europe	
51	287292	COVER, drive, plastic, painted; <i>includes 31</i>	1		246220	ANZ	
54	187604	SLEEVE, cart	2		288427	Asia	
55	119790	PACKING, o-ring	1	163	288899	SHELF, PEM, assy	1
58	287282	SHIELD, motor, painted; <i>includes 123, 124</i>	1	164	278075	BAFFLE	1
62	288663	FRAME, cart 1095	1	170▲	243301	LABEL, set, stpro, int'l	1
71	15D071	LABEL, UltraMax II 1095	1	172	238358	HOSE, cpld, 3/16 in. x 3 ft	1
72	15D072	LABEL, UltraMax II 1095	1				
76	248215	TUBE, intake; <i>includes 109</i>	1				
83	287933	HOUSING, bearing	1				
84		MOTOR, electric; <i>includes 126, 127</i>	1				
	287243	Series A					
	257187	Series B					
85	287472	ROD, connecting; <i>includes 43, 44</i>	1				
87	241920	DEFLECTOR, threaded	1				

* 253131 KIT, repair, tube, 13 in.

▲ Extra Danger & Warning tags & labels available free.

Parts Drawing: UltraMax II 1095



Parts List: UltraMax II Mark V

Ref.	Part No.	Description	Qty.	Ref.	Part No.	Description	Qty.
6	15C753	SCREW, mach, torx, hex	5	85	287472	ROD, connecting; <i>includes 43, 44</i>	1
8	15E891	CLIP, retaining	2				
10	156306	WASHER, flat	2	87	241920	DEFLECTOR, threaded	1
11*	119509	WHEEL, pneumatic	2	89	287290	GEAR, combination; <i>includes 28, 30</i>	1
12	106115	WASH, lock, spring	4				
14	114666	SCREW, cap, socket hd	4	90	287295	HOUSING, drive, M1; <i>includes 6, 36, 90a</i>	1
16	101354	PIN, spring, straight	2				
17	276974	CAP, leg	2	90a	114671	WASHER, thrust	1
18	108795	SCREW, mach, pnh	4	91	287928	PUMP, displacement; <i>includes 41, 109, Manual 310894</i>	1
19	110996	NUT, hex, flanged	8				
21	109450	O-RING	1	93	287952	HOSE, drain; <i>includes 87</i>	1
22	116038	WASHER, wave spring	2	94	288658	HOSE, coupled	1
23	110963	SCREW, cap, flng hd	2	99	245245	HANDLE, cart	1
25	112827	BUTTON, snap	2	103	287253	TOOLBOX; <i>includes 104</i>	1
28	114672	WASHER, thrust	2	104	118852	SCREW, hex washer hd	3
30	114699	WASHER, thrust	1	105	15C858	HANGER, stand, cart	1
31	118444	SCREW, machine, hex washer hd	4	106	15C982	CAM, cart	2
36	116192	WASHER, thrust	1	107	114531	SCREW, mach, hex washer	4
37	100057	SCREW, cap, hex hd	4	123	276980	GROMMET, cover	2
41	15G880	FITTING, pump, quick disc	1	124	119250	SCREW, shoulder, hex, washer	2
43	119778	SPRING, retaining	1	126	15D088	FAN, motor	1
44	15F110	PIN, pump	1	127	115477	SCREW, mach, torx, pan, hd	1
46	183350	WASHER	2	128▲	222385	TAG, WARNING (not shown)	1
48	189920	STRAINER, (1-11 1/2 NPSM)	1	129	240797	HOSE, cpld, 3/8 in. x 50 ft	1
51	287292	COVER, drive, plastic, painted; <i>includes 31</i>	1	130	241705	GUN, spray, texture	1
54	187604	SLEEVE, cart	2	149	15T569	LABEL, shroud top	1
55	C20195	PACKING, o-ring	1	150	15T570	LABEL, crown	1
58	287282	SHIELD, motor, painted; <i>includes 123, 124</i>	1	163	288899	SHELF, PEM, assy	1
62	288663	FRAME, cart	1	164	278075	BAFFLE	1
71	15F117	LABEL, Mark V	1	170▲	243301	LABEL, set, stpro, int'l	1
	15T430	LABEL, Mark V Plus	1	172	241735	HOSE, cpld, 1/4 in. x 3 ft	1
72	15F118	LABEL, Mark V	1	173	159841	ADAPTER, 1/4 npt (f) x 3/8 npt (m)	1
	15T431	LABEL, Mark V Plus	1	174	189018	SWIVEL, 1/4 npsm (f) x 1/4 npsm (m)	1
83	287933	HOUSING, bearing	1				
84		MOTOR, electric; <i>includes 126, 127</i>	1				
	287243	Series A					
	257187	Series B					

* 253131 KIT, repair, tube, 13 in.

▲ Extra Danger & Warning tags & labels available free.

Parts List - Sprayer

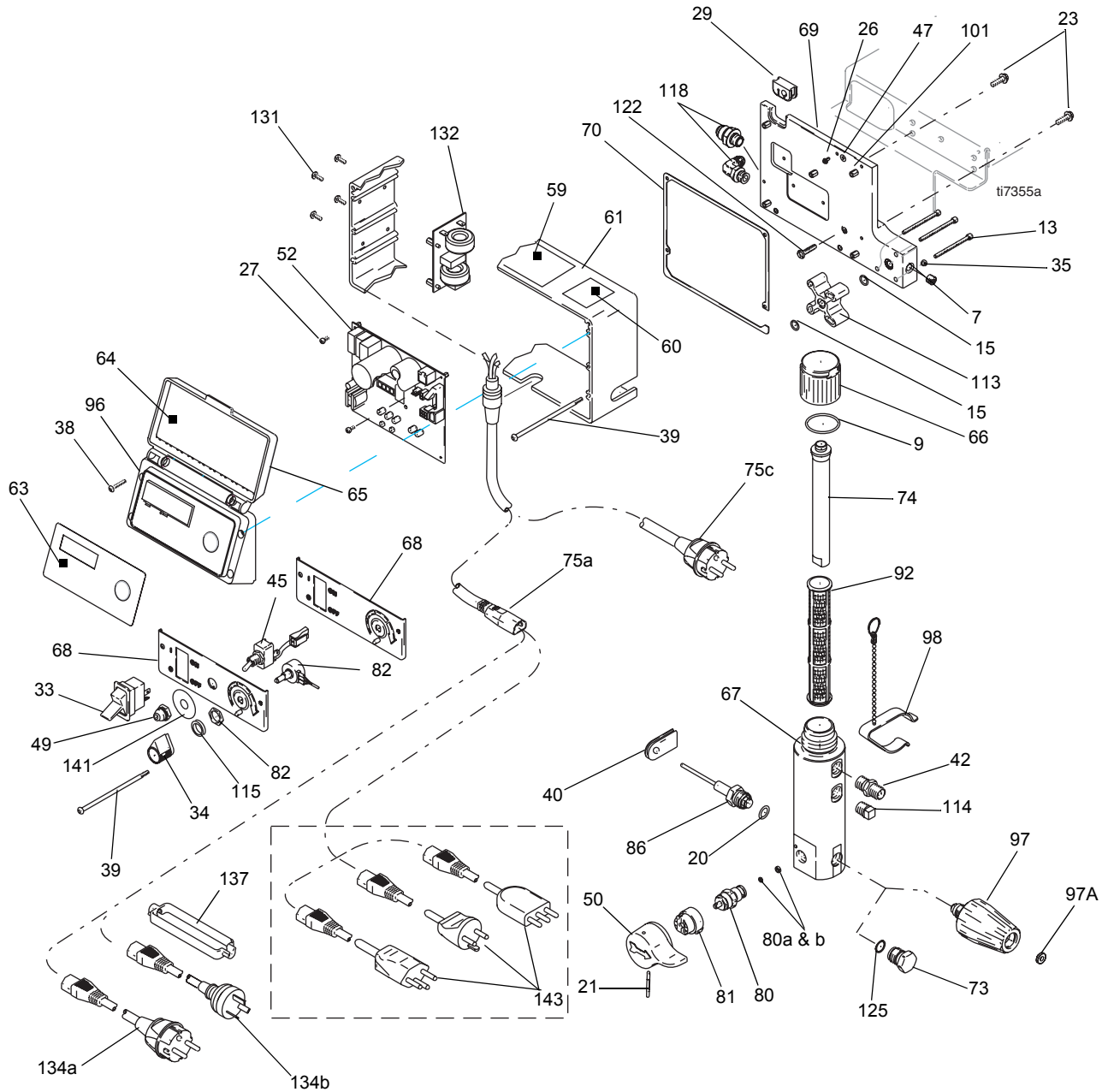
**UltraMax II: 695/795 Lo-Boy Series A; 695 Hi-Boy Series A - C;
795 Hi-Boy Series A, B; 1095 Series A; Mark V Series A
(Models with only TWO large capacitors on control board)**

Ref.	Part No.	Description	Qty.	Ref.	Part No.	Description	Qty.
7	100721	PLUG, pipe	1	75c	15D528	Europe CEE/7	
9	117285	PACKING, o-ring	1	80	235014	VALVE, prime; <i>includes 80a, 80b</i>	1
13	C19817	SCREW, cap, socket	3	80a	111699	GASKET, seat, valve	
15	107505	PACKING, o-ring	2	80b	15E022	SEAT, valve	
20	111457	PACKING, o-ring	2	81	224807	BASE, valve	1
21	15C972	PIN, grooved	1	82	256219	POTENTIOMETER, adjustment	1
23	110963	SCREW, cap, flng	2	86	243222	TRANSDUCER, pressure control; <i>includes 20</i>	1
26	114391	SCREW, grounding	1				
27	113045	SCREW, sems, mach, phillips	5	92		FILTER, fluid	1
29	15D087	GROMMET	1		244071	30 mesh	
33	15D527	SWITCH, rocker	1		244067	60 mesh, original equipment	
34	116167	KNOB, potentiometer	1		244068	100 mesh	
35	105510	WASHER, lock, spring	3		244069	200 mesh	
38	116252	SCREW, #10 taptite phillips	4	96	287286	COVER, control, ultra; <i>includes 38, 63, 64, 65</i>	1
39	112381	SCREW, mach, pan hd	4				
40	15D033	GROMMET, transducer	1	97	287293	VALVE, Autoclean; <i>includes 97a</i>	1
42		NIPPLE, adapter	1				
	164672	695, 795, 1095		97a	15F950	GASKET	1
	162485	Mark V		98	244346	KIT, repair, clamp, trigger	1
45	119541	SWITCH, toggle	1	101	15D160	STUD, board	5
47	186620	LABEL, symbol, ground	1	102	114420	SCREW, mach, pmh, sems	3
49	195428	BOOT, toggle	1	113	15F844	SPACER, manifold	1
50	15C780	HANDLE	1	114	104813	PLUG, pipe	1
52	287942	CONTROL, board; <i>includes 27, 102</i>	1	115	15C973	GASKET	1
59▲	243301	LABEL, warning	1	118	120185	FITTING, hydraulic; Mark V	1
60▲	195793	LABEL, warning	1		116793	FITTING, elbow, hydraulic; 695, 795, 1095	
61	15D431	BOX, control	1				
63	198648	LABEL, LCD	1	122	115478	SCREW, mach torx/slt	1
64	15D063	LABEL, instruction	1	125	15D541	SEAL, washer	1
65	15D609	LABEL, ctrl, box cover	1	131	119228	SCREW, mach flat hd	4
66	287285	CAP, filter; <i>includes 9, 74</i>	1	132	248220	FILTER, board	1
67	15C838	BASE, filter	1	134		CORD SET, ADAPTER	1
68		PANEL, control	1	134a	242001	Europe Multicord and Asia	1
	15G627	695, 795, 1095		134b	242005	ANZ	
	15C947	Mark V		137	195551	RETAINER, PLUG, ADAPTER, Europe Multicord, Asia & ANZ	1
69	15C840	PLATE, power bar	1				
70	15D036	GASKET, control box	1	141▲	15G769	LABEL	1
73	248314	PLUG, Autoclean standard; <i>includes 125</i>		143	287121	CORD SET, Italy, Denmark, Switzerland	1
74	15C766	TUBE, diffusion	1				
75		CORD, power	1				
75a	15D529	Europe Multicord, Asia & ANZ					

▲ Extra Danger and Warning tags and labels available free.

Parts Drawing - Sprayer

**UltraMax II: 695/795 Lo-Boy Series A; 695 Hi-Boy Series A - C;
795 Hi-Boy Series A, B; 1095 Series A; Mark V Series A
(Models with only TWO large capacitors on control board)**



Parts List - Sprayer

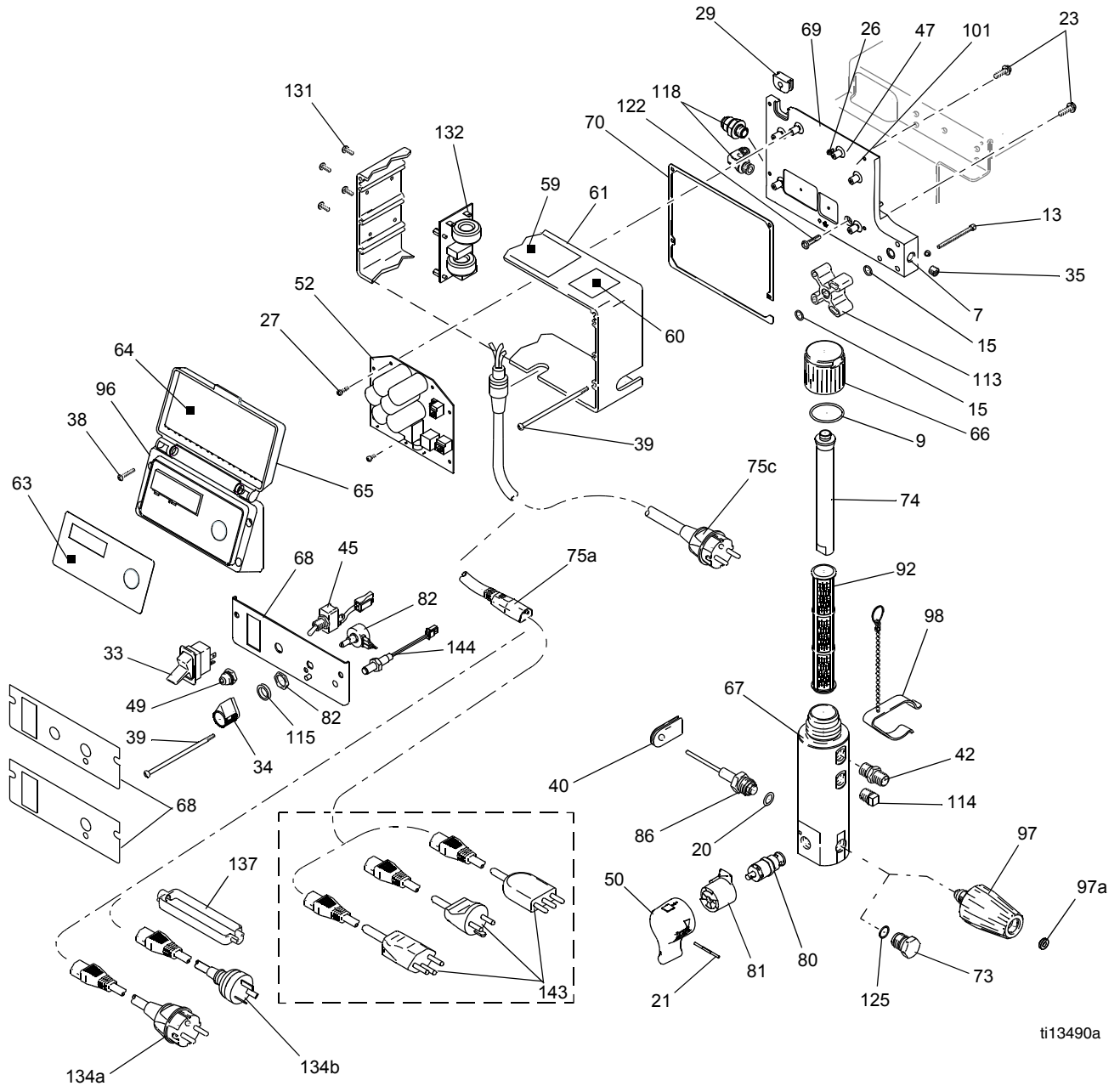
**UltraMax II: 695/795 Lo-Boy Series B; 695 Hi-Boy Series D;
795 Hi-Boy Series C; 1095/Mark V Series B
(Models with SIX large capacitors on control board)**

Ref.	Part No.	Description	Qty.	Ref.	Part No.	Description	Qty.
7	100721	PLUG, pipe	1	75a	15D529	Europe Multicord, Asia & ANZ	
9	117285	PACKING, o-ring	1	75c	15D528	Europe CEE/7	
13	C19817	SCREW, cap, socket	3	80	257352	VALVE, prime; <i>includes 80a, 80b, 21, 50, 81</i>	1
15	107505	PACKING, o-ring	2	80a	122120	GASKET, seat, valve	
20	111457	PACKING, o-ring	2	80b	15B613	SEAT, valve	
21	15C972	PIN, grooved	1	81	24A382	BASE, valve	1
23	110963	SCREW, cap, flng	2	82	256219	POTENTIOMETER, adjustment	1
26	114391	SCREW, grounding	1	86	243222	TRANSDUCER, pressure control; <i>includes 20</i>	1
27	113045	SCREW, sems, mach, phillips	6				
29	15V996	GROMMET	1	92		FILTER, fluid	1
33	15D527	SWITCH, rocker	1		244071	30 mesh	
34	116167	KNOB, potentiometer	1		244067	60 mesh, original equipment	
35	105510	WASHER, lock, spring	3		244068	100 mesh	
38	116252	SCREW, #10 taptite phillips	4		244069	200 mesh	
39	112381	SCREW, mach, pan hd	4	96	287286	COVER, control, ultra; <i>includes 38,</i> <i>63, 64, 65</i>	1
40	15D033	GROMMET, transducer	1	97	287293	VALVE, Autoclean; <i>includes 97a</i>	1
42		NIPPLE, adapter	1				
	164672	695, 795, 1095		97a	15F950	GASKET	1
	162485	Mark V		98	244346	KIT, repair, clamp, trigger	1
45	119541	SWITCH, toggle	1	101	15V938	STUD, board	6
47	186620	LABEL, symbol, ground	1	102	114420	SCREW, mach, pmh, sems	2
49	195428	BOOT, toggle	1	113	15F844	SPACER, manifold	1
50	24B218	HANDLE	1	114	104813	PLUG, pipe	1
52	257449	CONTROL, board; <i>includes 27, 102</i>	1	115	15C973	GASKET	1
59▲	243301	LABEL, warning	1	118	120185	FITTING, hydraulic; Mark V	1
60▲	195793	LABEL, warning	1		116793	FITTING, elbow, hydraulic; 695, 795, 1095	
61	15D431	BOX, control	1	122	115478	SCREW, mach torx/slt	1
63	198648	LABEL, LCD	1	125	15D541	SEAL, washer	1
64	15D063	LABEL, instruction	1	131	119228	SCREW, mach flat hd	4
65	15D609	LABEL, ctrl, box cover	1	132	257905	FILTER, board	1
66	287285	CAP, filter; <i>includes 9, 74</i>	1	134		CORD SET, ADAPTER	1
67	15C838	BASE, filter	1	134a	242001	Europe Multicord and Asia	1
68		PANEL, control	1	134b	242005	ANZ	
	15X617	Mark V panel, control		137	195551	RETAINER, PLUG, ADAPTER, Europe Multicord, Asia & ANZ	1
	15X902	Mark V Label		143	287121	CORD SET, Italy, Denmark, Switzerland	1
	15X617	695, 795, 1095, 1595 panel, control		144	122507	Reed Switch	1
	15X620	695, 795, 1095, 1595 Label					
69	15V937	PLATE, power bar	1				
70	15D036	GASKET, control box	1				
73	248314	PLUG, Autoclean standard; <i>includes 125</i>					
74	15C766	TUBE, diffusion	1				
75		CORD, power	1				

▲ Extra Danger and Warning tags and labels available free.

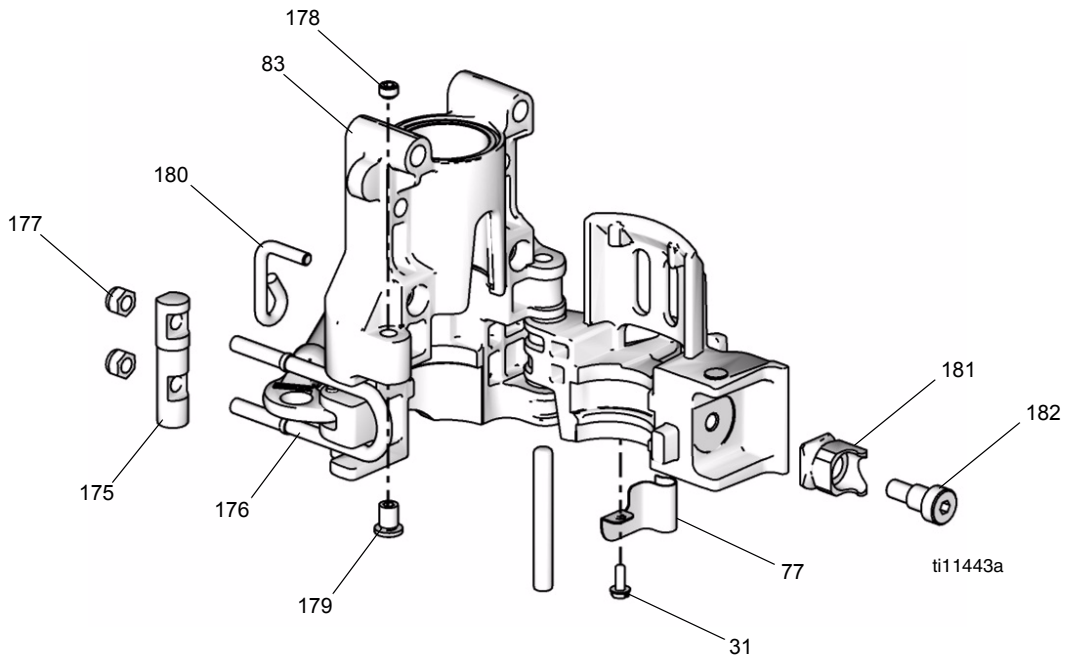
Parts Drawing - Sprayer

UltraMax II: 695/795 Lo-Boy Series B; 695 Hi-Boy Series D;
795 Hi-Boy Series C; 1095/Mark V Series B
(Models with SIX large capacitors on control board)



ti13490a

Parts Drawing - Bearing Housing

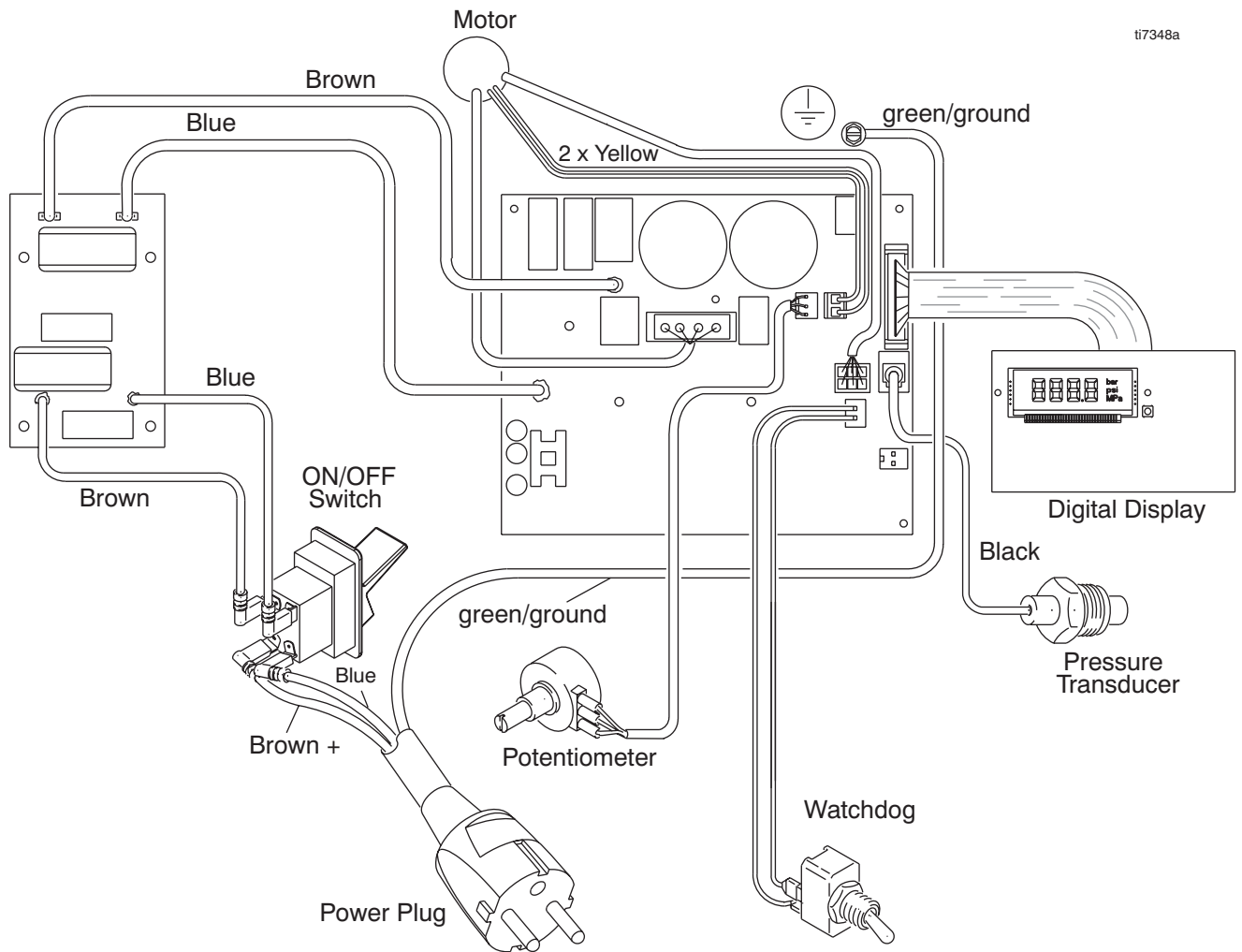


Parts List - Bearing Housing

Ref.	Part	Description	Qty.	Ref.	Part	Description	Qty.
83	240523	HOUSING, bearing (695/795)	1	178	15F503	SCREW, set, socket hd	1
	287923	HOUSING, bearing (1095/Mark V)	1	179	15F498	SCREW, adjustment	1
31	118444	SCREW, mach hex wash hd	1	180	15F116	LATCH	1
77	15E975	CLIP, spring	1	181	15G840	RECEIVER, latch (695)	1
175		PIN, housing, bearing			15G584	RECEIVER, latch	1
	15E779	695	1			(795/1095/Mark V)	
	15E625	795/1095/Mark V	1	182	108859	SCREW, shoulder, sch (695)	1
176		LATCH, housing, bearing			116942	SCREW, shoulder, sch	1
	15G930	695	1			(795/1095/Mark V)	
	15G890	795/1095/Mark V	1				
177		NUT, lock hex					
	102040	695	2				
	111040	795/1095/Mark V	2				

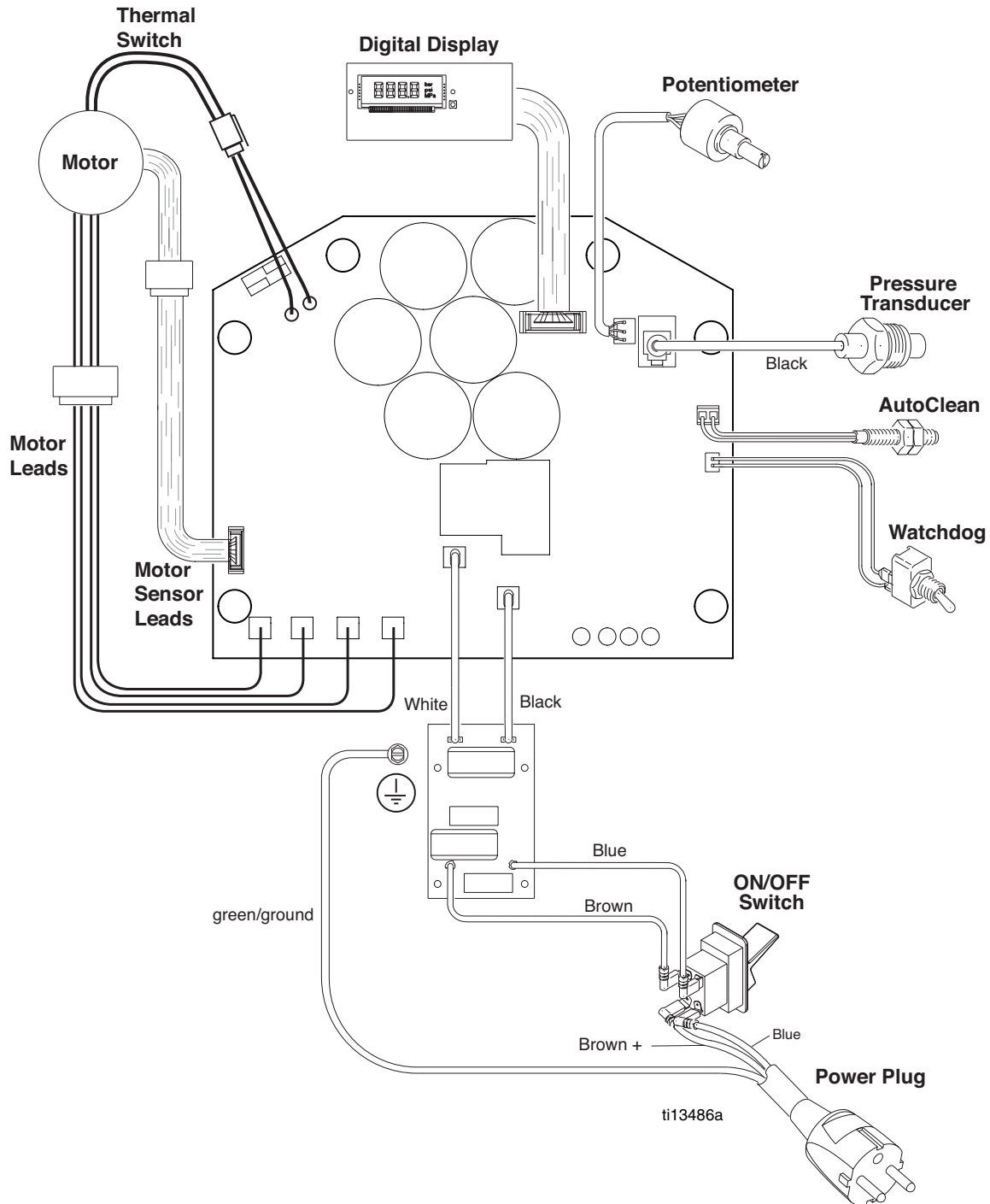
Wiring Diagram

**UltraMax II: 695/795 Lo-Boy Series A; 695 Hi-Boy Series A - C;
795 Hi-Boy Series A, B; 1095 Series A; Mark V Series A
(Models with only TWO large capacitors on control board)**



Wiring Diagram

UltraMax II: 695/795 Lo-Boy Series B; 695 Hi-Boy Series D;
795 Hi-Boy Series C; 1095/Mark V Series B
(Models with SIX large capacitors on control board)



*All written and visual data contained in this document reflects the latest product information available at the time of publication.
Graco reserves the right to make changes at any time without notice.*

This manual contains English. MM 311363

Graco Headquarters: Minneapolis

International Offices: Belgium, China, Japan, Korea

GRACO INC. P.O. BOX 1441 MINNEAPOLIS, MN 55440-1441

www.graco.com

311363H

12/2005 Rev. 4/2009