

# Parts



## Ultra<sup>®</sup> Max II Ultimate Mx II

Korean patent 10-0579681

311362E rev.p

*- This manual covers every series -*

*3300 psi (228 bar, 22.8 MPa) Maximum Working Pressure*

Ultra <sup>®</sup> Max II					
Vac	Model	Type	Lo-Boy	Hi-Boy	
<b>120V North America</b>  	695	Standard	255130	249642	
		Premium	255131	249644	
	795	Standard	255132	249646	
		Premium	255133	249648	
	1095	Standard		249651	
		Premium		249653	
	1595	Standard		253060	
		Premium		253059	
	Mark V			249904†	
	<b>120V North America</b>	1595	Standard		249658**†
Premium				249659**†	
Mark V				249903**†	
Ultimate Mx II					
Vac	Model	Type	Lo-Boy	Hi-Boy	
<b>120V Sherwin Williams</b>  	695	Standard	826093	826067	
		Premium	826094	826069	
	795	Standard		826071	
		Premium		826072	
	1095	Standard		826073	
		Premium		826074	
	1595	Standard		826082	
		Premium		826081	
	<b>120V Sherwin Williams</b>	1595	Standard		826075
			Premium		826076

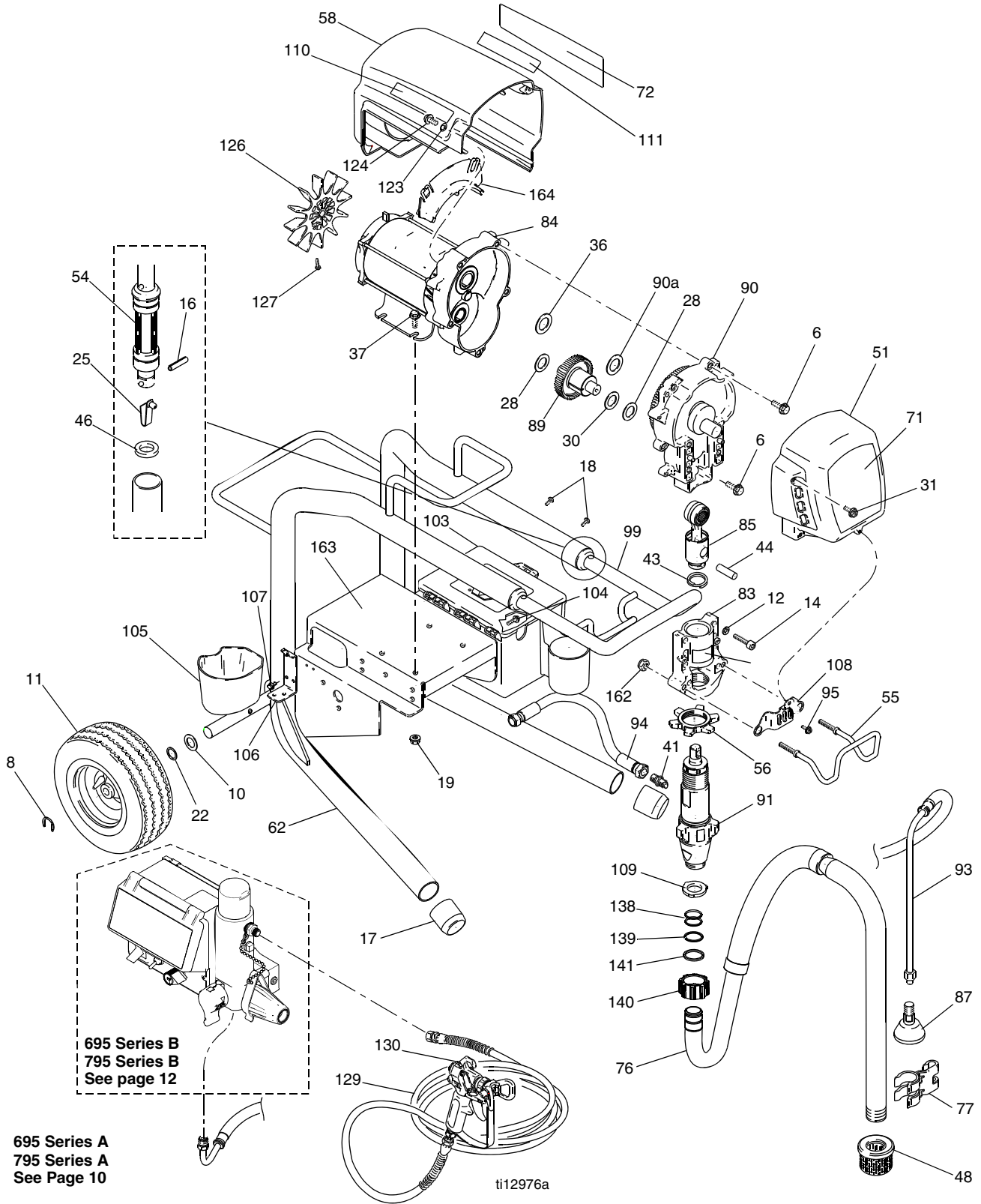
\*\*Not ETL Approved.  
All models not available in all countries.

PROVEN QUALITY. LEADING TECHNOLOGY.

# Parts Drawing - Lo-Boy Sprayer

UltraMax II 695 & 795: 255130, 255131, 255132, 255133

Ultimate Mx II 695: 826093, 826094



# Parts List - Lo-Boy Sprayer

UltraMax II 695 & 795: 255130, 255131, 255132, 255133

Ultimate Mx II 695: 826093, 826094

Ref	Part	Description	Qty	Ref	Part	Description	Qty
6	15C753	SCREW, mach, torx, hex	5	85	241008	ROD, connecting; <i>includes 43</i>	1
8	15E891	CLIP, retaining	2	87	241920	DEFLECTOR, threaded	1
10	156306	WASHER, flat	2	89	287289	GEAR, combination;	1
11*	119420	WHEEL, pneumatic	2			<i>includes 28, 30</i>	
12	106115	WASH, lock, spring	4	90		HOUSING, drive, M1;	1
14	107210	SCREW, cap, socket hd	4			<i>includes 6, 36, 90a</i>	
16	101354	PIN, spring, straight	2		287283	695	
17	15C871	CAP, leg	2		287284	795	
18	109032	SCREW, mach, pnh	4	90a	107089	WASHER, race, thrust	1
19	110996	NUT, hex, flanged	8	91	248204	PUMP, displacement 695/795;	1
22	116038	WASHER, wave spring	2			<i>includes 109</i>	
25	112827	BUTTON, snap	2	93	248217	HOSE, drain; <i>includes 87</i>	1
28	114672	WASHER, thrust	2	94	15D049	HOSE, coupled, 1/4 x 15.75	1
30	114699	WASHER, thrust	1	95	114000	SCREW, control housing	1
31	118444	SCREW, machine, hex washer hd	4	99	288448	HANDLE, cart	1
36	116191	WASHER, thrust	1	103	287253	TOOL BOX; <i>includes 104</i>	1
37	100057	SCREW, cap, hex hd	4	104	118852	SCREW, machine, hex washer	3
41	162453	FITTING, (1/4 NPSM x 1/4 NPT)	1	105	276975	CUP, drain	1
43	176817	SPRING, retaining	1	106	15F952	BRACKET, drain cup	1
44	176818	PIN, str, hdls	1	107	114423	SCREW, mach, hex hd	2
46	183350	WASHER	2	108	15C859	SHIELD, pump rod	1
48	189920	STRAINER, (1-11 1/2 NPSM)	1	109	115099	WASHER, garden hose	1
51	287291	COVER, drive, plastic, painted;	1	110		LABEL, standard, left	1
		<i>includes 31, 95</i>			15D724	Standard	
54	192027	SLEEVE, cart	2		15D722	Premium	
55	192719	HANGER, pail	1	111		LABEL, standard, right	1
56	192723	NUT, retaining	1		15D723	Standard	
58	287281	695 SHIELD, motor, painted;	1		15D721	Premium	
		<i>includes 31</i>		117	187436	LABEL, torque	1
	287282	795 SHIELD, motor, painted;	1	123	276980	GROMMET, cover	2
		<i>includes 31</i>		124	119250	SCREW, shoulder, hex washer	2
62	288898	FRAME, cart	1	126	15D088	FAN, motor	1
71		LABEL	1	127	115477	SCREW, mach, torx, pan hd	1
	15K374	Ultra 695		128▲	222385	TAG, WARNING (not shown)	1
	15D068	Ultra 795		129		HOSE, cpld, 1/4 in. x 50 ft	1
	824995	Ultimate 695			240794	Ultra	
72		LABEL	1		826079	Ultimate	
	15K381	Ultra 695		130	288422	GUN, contractor	1
	15D069	Ultra 795				Manual 311861	
	824996	Ultimate 695		138	117559	O-RING	2
76	248216	HOSE, suction;	1	139	118505	RING, retaining, external	1
		<i>includes 109, 138, 134, 140, 141</i>		140	15C980	NUT, jam	1
77	15D000	CLIP, drain line	1	141	15C981	WASHER, suction swivel	1
83	240523	HOUSING, bearing;	1	162	112746	NUT, hex	2
		<i>includes 162, 55</i>		163	288899	SHELF, PEM assembly	1
84		MOTOR, electric; <i>includes 126, 127</i>	1	164	278075	BAFFLE	1
	287197	695 Series A					
	257185	695 Series B					
	287198	795 Series A					
	257186	795 Series B					

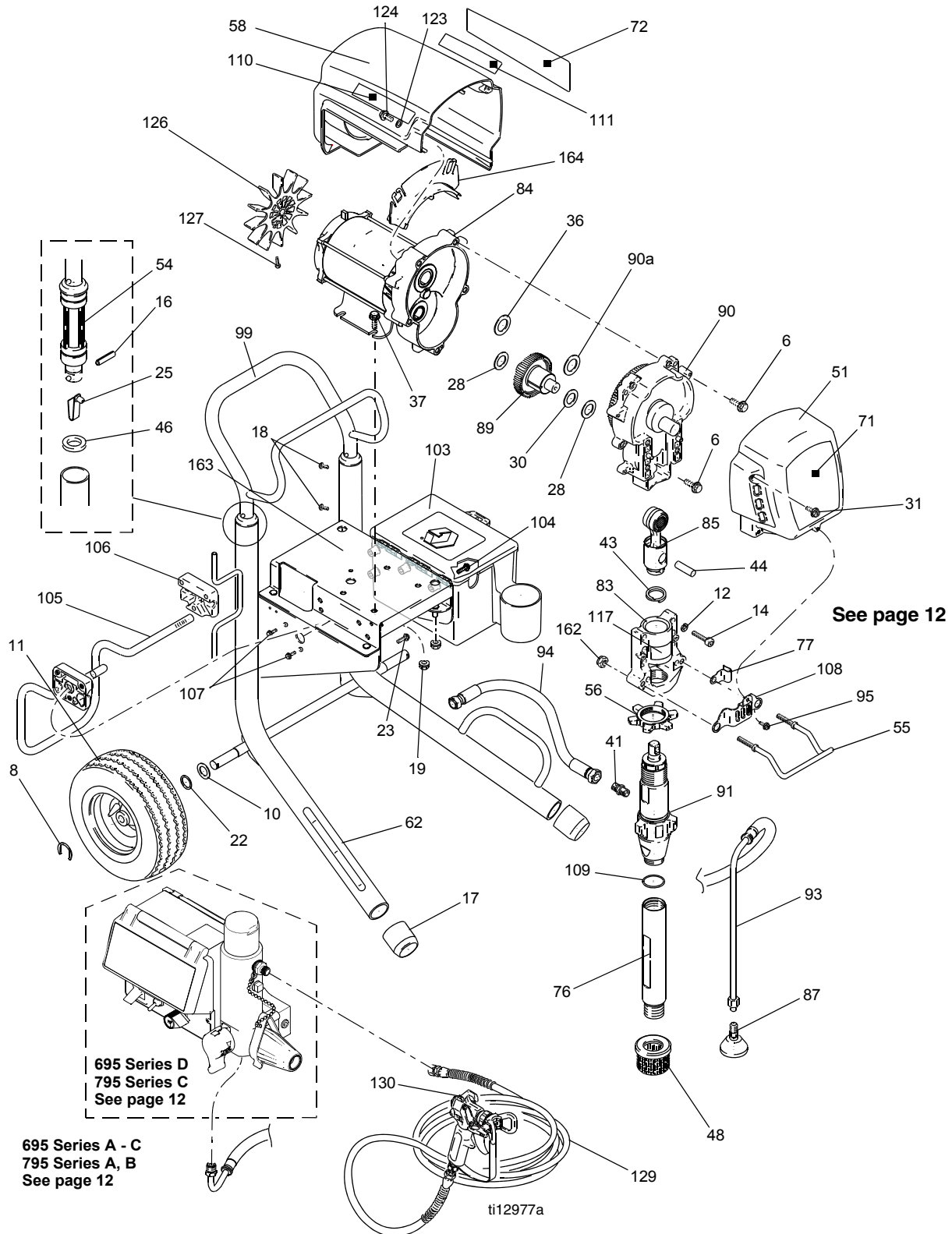
\* 253132 KIT, repair, tube, 11 in.

▲ Extra Danger & Warning tags & labels available free.

# Parts Drawing - Hi-Boy Sprayer

UltraMax II 695 & 795: 249642, 249644, 249646, 249648

Ultimate Mx II 695 & 795: 826067, 826069, 826071, 826072



# Parts List - Hi-Boy Sprayer

**UltraMax II 695 & 795:** 249642, 249644, 249646, 249648

**Ultimate Mx II 695 & 795:** 826067, 826069, 826071, 826072

Ref No.	Part No.	Description	Qty	Ref No.	Part No.	Description	Qty
6	15C753	SCREW, mach, torx, hex	5		257185	695 Series D	
8	15E891	CLIP, retaining	2		287198	795 Series A, B	
10	156306	WASHER, flat	2		257186	795 Series C	
11*	119420	WHEEL, pneumatic	2	85	241008	ROD, connecting; <i>includes 43</i>	1
12	106115	WASH, lock, spring	4	87	241920	DEFLECTOR, threaded	1
14	107210	SCREW, cap, socket hd	4	89	287289	GEAR, combination;	1
16	101354	PIN, spring, straight	2			includes 28, 30	
17	15C871	CAP, leg	2	90		HOUSING, drive, M1;	1
18	109032	SCREW, mach, pnh	4			includes 6, 36, 90a	
19	110996	NUT, hex, flanged	8		287283	695	
22	116038	WASHER, wave spring	2		287284	795	
23	110963	SCREW, cap, flng hd	2	90a	107089	WASHER, race, thrust	1
25	112827	BUTTON, snap	2	91	248204	PUMP, displacement; <i>includes 109</i>	1
28	114672	WASHER, thrust	2	93	244240	HOSE, coupled; <i>includes 87</i>	1
30	114699	WASHER, thrust	1	94	15D049	HOSE, coupled, 1/4 x 15.75	1
31	118444	SCREW, machine, hex washer hd	4	95	114000	SCREW, control housing	1
36	116191	WASHER, thrust	1	99	245245	HANDLE, cart	1
37	100057	SCREW, cap, hex hd	4	103	287253	TOOLBOX, <i>includes 104</i>	1
41	162453	FITTING, (1/4 NPSM x 1/4 NPT)	1	104	118852	SCREW, hex washer hd	3
43	176817	SPRING, retaining	1	105	15D281	HANGER, stand, cart	1
44	176818	PIN, str, hdls	1	106	15C982	CAM, cart	2
46	183350	WASHER	2	107	114531	SCREW, mach, hex washer	4
48	189920	STRAINER, (1-11 1/2 NPSM)	1	108	15C859	SHIELD, pump rod	1
51	287291	COVER, drive, plastic, painted; <i>includes 31, 95</i>	1	109	118494	PACKING, o-ring	1
54	192027	SLEEVE, cart	2	110	15D724	Standard	
55	192719	HANGER, pail	1		15D722	Premium	
56	192723	NUT, retaining	1	111		LABEL, standard, right	1
58		SHIELD, motor, painted; <i>includes 31</i>	1		15D723	Standard	
	287281	695			15D721	Premium	
	287282	795		117	187436	LABEL, torque	1
62	288605	FRAME, cart	1	123	276980	GROMMET, cover	2
71		LABEL	1	124	119250	SCREW, shoulder, hex, washer	2
	15K374	Ultra 695		126	15D088	FAN, motor	1
	15D068	Ultra 795		127	115477	SCREW, mach, torx, pan, hd	1
	824995	Ultimate 695		128▲	222385	TAG, WARNING (not shown)	1
	824998	Ultimate 795		129		HOSE, cpld, 1/4 in. x 50 ft	1
72		LABEL	1		240794	Ultra	
	15K381	Ultra 695			826079	Ultimate	
	15D069	Ultra 795		130	288420	GUN, contractor	1
	824996	Ultimate 695				Manual 311861	
	824999	Ultimate 795		162	112746	NUT, hex	2
76	248214	TUBE, intake; <i>includes 109</i>	1	163	288899	SHELF, PEM assembly	1
77	197124	CLIP, spring	1	164	278075	BAFFLE	1
83	240523	HOUSING, bearing; includes 55, 162	1				
84		MOTOR, electric	1				
	287197	695 Series A - C					

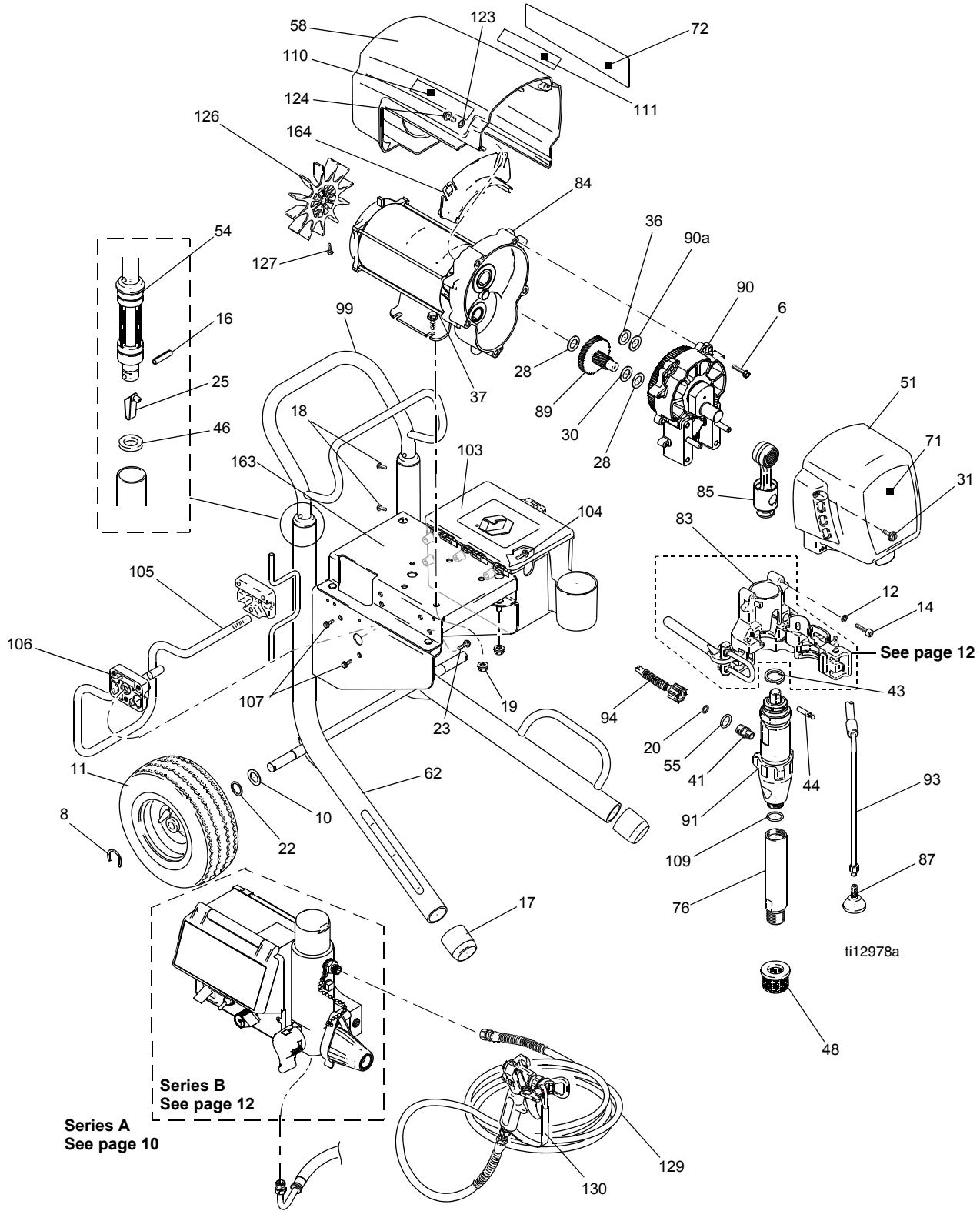
▲ Extra Danger and Warning tags and labels available free.

\* 253132 KIT, repair, tube

# Parts Drawing - Hi-Boy Sprayer

UltraMax II 1095 & 1595: 249651, 249653, 253060, 253059, 249658, 249659

Ultimate Mx II 1095 & 1595: 826073, 826074, 826082, 826081, 826075, 826076



# Parts List - Hi-Boy Sprayer

**UltraMax II 1095 & 1595:** 249651, 249653, 253060, 253059, 249658, 249659

**Ultimate Mx II 1095 & 1595:** 826073, 826074, 826082, 826081, 826075, 826076

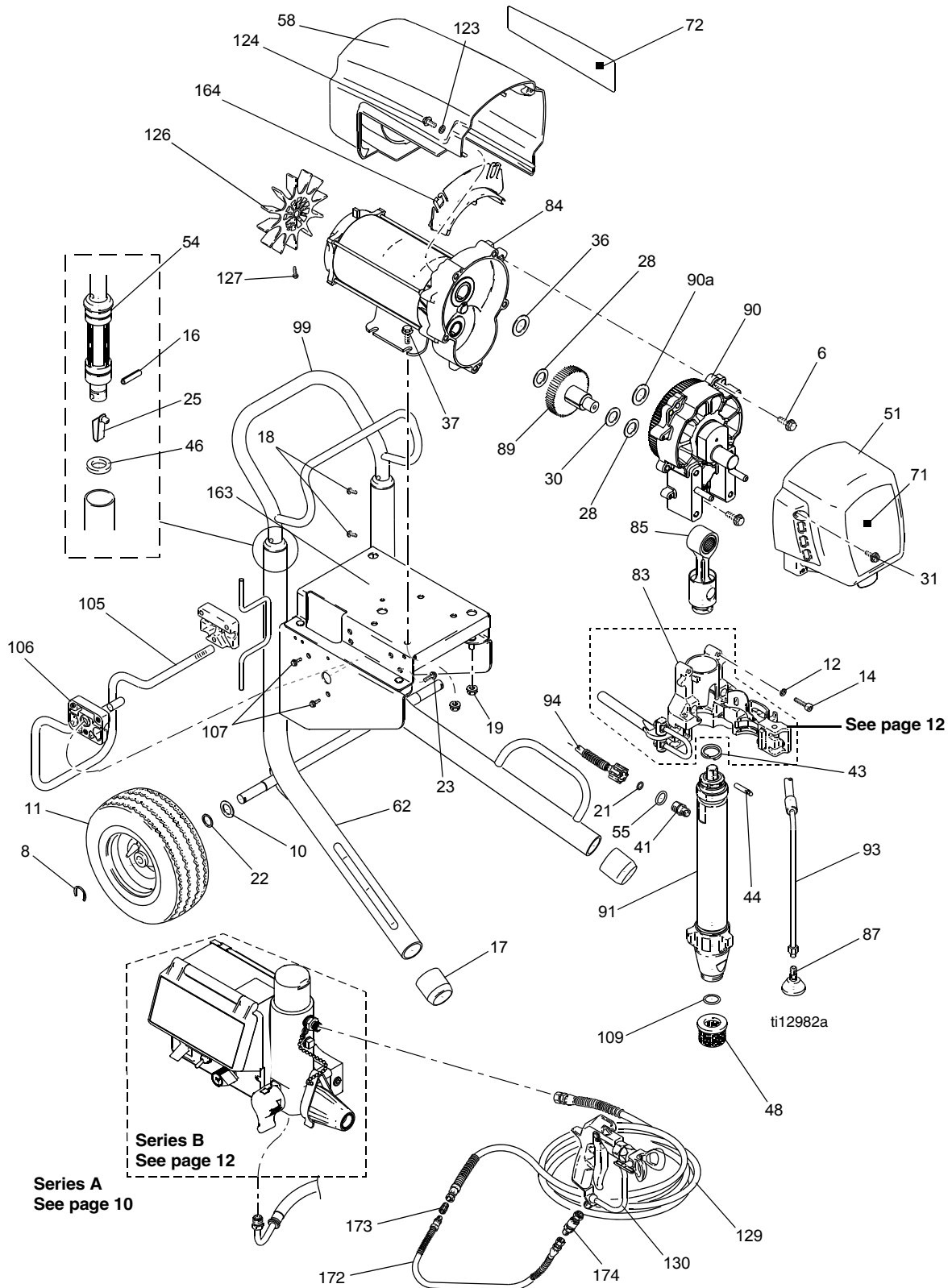
Ref No.	Part No.	Description	Qty	Ref No.	Part No.	Description	Qty
6	15C753	SCREW, mach, torx, hex	5	85	287472	ROD, connecting; <i>includes 43, 44</i>	1
8	15E891	CLIP, retaining	2	87	241920	DEFLECTOR, threaded	1
10	156306	WASHER, flat	2	89	287290	GEAR, combination;	1
11*	119509	WHEEL, pneumatic	2			<i>includes 28, 30</i>	
12	106115	WASH, lock, spring	4	90		HOUSING, drive, M1;	1
14	114666	SCREW, cap, socket hd	4			<i>includes 6, 36, 90a</i>	
16	101354	PIN, spring, straight	2		287294	1095	
17	276974	CAP, leg	2		287295	1595	
18	108795	SCREW, mach, prh	4	90a	107089	WASHER, race, thrust	1
19	110996	NUT, hex, flanged	8	91	287513	PUMP, displacement;	1
20	111457	O-RING	1			<i>includes 41, 76, 109</i>	
22	116038	WASHER, wave spring	2	93	287952	HOSE, drain; <i>includes 87</i>	1
23	110963	SCREW, cap, flng hd	2	94	288658	HOSE, coupled	1
25	112827	BUTTON, snap	2	99	245245	HANDLE, cart	1
28	114672	WASHER, thrust	2	103†	287253	TOOLBOX; <i>includes 104</i>	1
30	114699	WASHER, thrust	1	104†	118852	SCREW, hex washer hd	3
31	118444	SCREW, machine, hex washer hd	4	105	15C858	HANGER, stand, cart	1
36	116192	WASHER, thrust	1	106	15C982	CAM, cart	2
37	100057	SCREW, cap, hex hd	4	107	114531	SCREW, mach, hex washer	4
41	15E802	FITTING, pump, quick disc	1	109	118494	PACKING, o-ring	1
43	119778	SPRING, retaining	1	110		LABEL, standard, left	1
44	15F110	PIN, pump	1		15D724	Standard	
46	183350	WASHER	2		15D722	Premium	
48	189920	STRAINER, (1-11 1/2 NPSM)	1	111		LABEL, standard, right	1
51	287292	COVER, drive, plastic, painted;	1		15D723	Standard	
		<i>includes 31</i>			15D721	Premium	
54	187604	SLEEVE, cart	2	123	276980	GROMMET, cover	2
55	119790	PACKING, o-ring	1	124	119250	SCREW, shoulder, hex, washer	2
58	287282	SHIELD, motor, painted;	1	126	15D088	FAN, motor	1
		<i>includes 31</i>		127	115477	SCREW, mach, torx, pan, hd	1
62	288663	FRAME, cart 1095/1595	1	128▲	222385	TAG, WARNING (not shown)	1
71		LABEL, UltraMax	1	129		HOSE, cpld, 1/4 in. x 50 ft	1
	15D071	Ultra 1095			240794	Ultra	
	15D074	Ultra 1595			826079	Ultimate	
	825011	Ultimate 1095		130	288420	GUN, contractor	1
	825014	Ultimate 1595				Manual 311861	
72		LABEL, UltraMax II 1095/1595	1	163	288899	SHELF, PEM assembly	1
	15D072	Ultra 1095		164	278075	BAFFLE	1
	15D075	Ultra 1595					
	825012	Ultimate 1095					
	825015	Ultimate 1595					
76	248215	TUBE, intake; <i>includes 109</i>	1				
83	287523	HOUSING, bearing	1				
84		MOTOR, electric;	1				
		<i>includes 126, 127</i>					
	287199	1095 Series A					
	257187	1095 Series B					
	287200	1595 Series A					
	257188	1595 Series B					

▲ *Extra Danger and Warning tags and labels available free.*  
 \* 253131 KIT, repair, tube

† *Premium Sprayers*

# Parts Drawing - Hi-Boy Sprayer

UltraMax II Mark V: 249903, 249904





# Parts List - Hi-Boy Sprayer

## UltraMax II Mark V: 249903, 249904

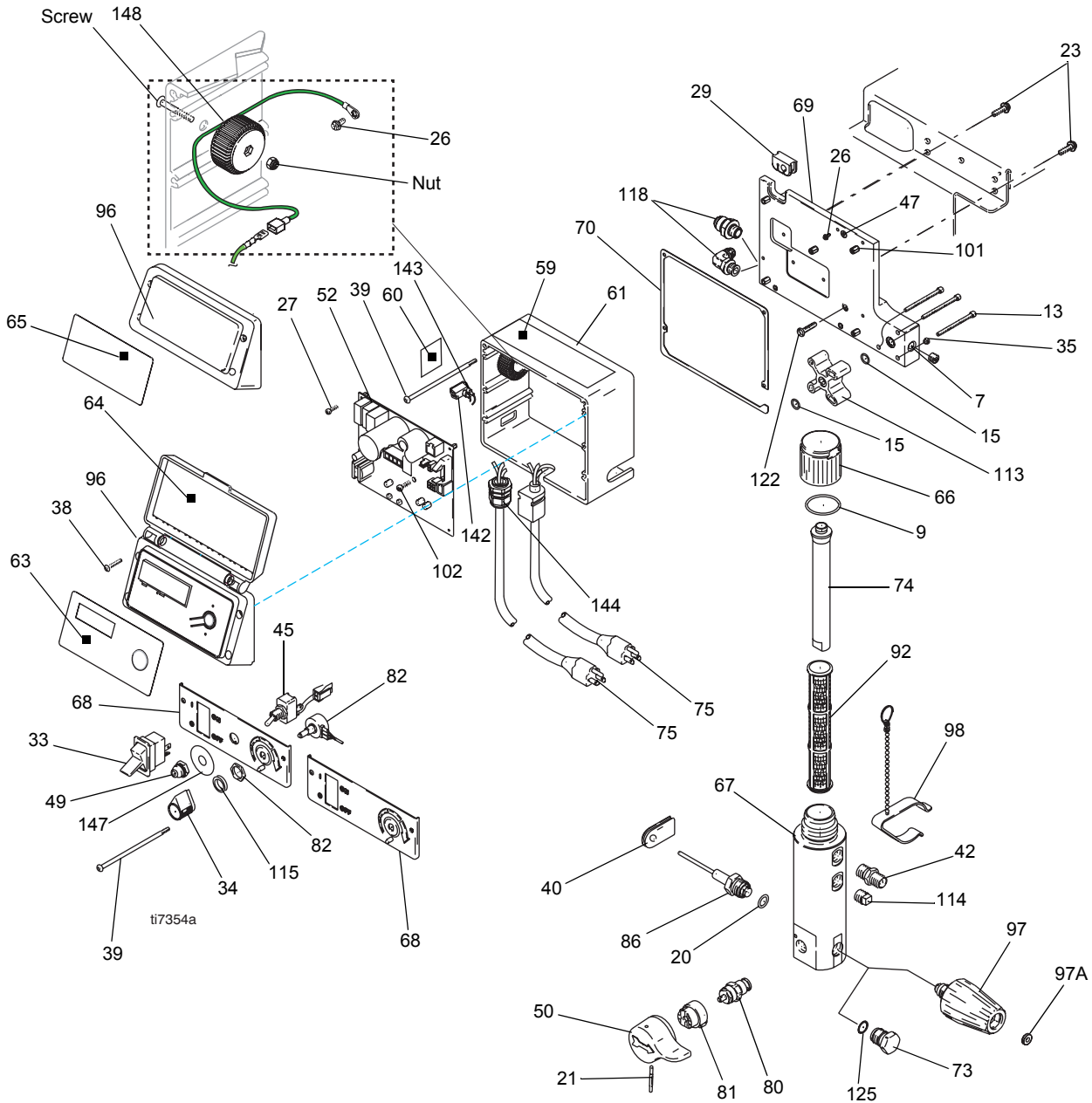
Ref No.	Part No.	Description	Qty.	Ref No.	Part No.	Description	Qty.
6	15C753	SCREW, mach, torx, hex	5	85	287472	ROD, connecting; <i>includes 43, 44</i>	1
8	15E891	CLIP, retaining	2	87	241920	DEFLECTOR, threaded	1
10	156306	WASHER, flat	2	89	287290	GEAR, combination; <i>includes 28, 30</i>	1
11*	119509	WHEEL, pneumatic	2	90	287295	HOUSING, drive; <i>includes 6, 36, 90a</i>	1
12	106115	WASH, lock, spring	4	90a	107089	WASHER, race, thrust	1
14	114666	SCREW, cap, socket hd	4	91	287929	PUMP, displacement; <i>includes 41, 109</i>	1
16	101354	PIN, spring, straight	2	93	287952	HOSE, drain; <i>includes 87</i>	1
17	276974	CAP, leg	2	94	287792	HOSE, coupled	1
18	108795	SCREW, mach, pnh	4	99	245245	HANDLE, cart	1
19	110996	NUT, hex, flanged	8	105	15C858	HANGER, stand, cart	1
21	109450	O-RING	1	106	15C982	CAM, cart	2
22	116038	WASHER, wave spring	2	107	114531	SCREW, mach, hex washer	4
23	110963	SCREW, cap, flng hd	2	123	276980	GROMMET, cover	2
25	112827	BUTTON, snap	2	124	119250	SCREW, shoulder, hex, washer	2
28	114672	WASHER, thrust	2	126	15D088	FAN, motor	1
30	114699	WASHER, thrust	1	127	115477	SCREW, mach, torx, pan, hd	1
31	118444	SCREW, machine, hex washer hd	4	128▲	222385	TAG, WARNING (not shown)	1
36	116192	WASHER, thrust	1	129	240797	HOSE, cpld, 3/8 in. x 50 ft	1
37	100057	SCREW, cap, hex hd	4	130	241705	GUN, spray, texture	1
41	15G880	FITTING, pump, quick disc	1	163	288899	SHELF, PEM assembly	1
43	119778	SPRING, retaining	1	164	278075	BAFFLE	1
44	15F110	PIN, pump	1	172	241735	HOSE, cpld, 1/4 in. x 3 ft	1
46	183350	WASHER	2	173	159841	ADAPTER, 1/4 npt (f) x 3/8 npt (m)	1
48	189920	STRAINER, (1-11 1/2 NPSM)	1	174	189018	SWIVEL, 1/4 npsm (f) x 1/4 npsm (m)	1
51	287292	COVER, drive, plastic, painted	1				
54	187604	SLEEVE, cart	2				
55	C20195	PACKING, o-ring	1				
58	287282	SHIELD, motor, painted	1				
62	288663	FRAME, cart	1				
71	15G804	LABEL, Mark V	1				
72	15G805	LABEL, Mark V	1				
83	287523	HOUSING, bearing	1				
84		MOTOR, electric; <i>includes 126, 127</i>	1				
	287200	Series A					
	257188	Series B					

▲ Extra Danger and Warning tags and labels available free.

\* 253131 KIT, repair, tube

# Parts Drawing

**695/795 Lo-Boy Series A; 695 Hi-Boy Series A - C;  
 795 Hi-Boy Series A, B; 1095/1595/Mark V Series A  
 (Models with only TWO large capacitors on control board)**



# Parts List

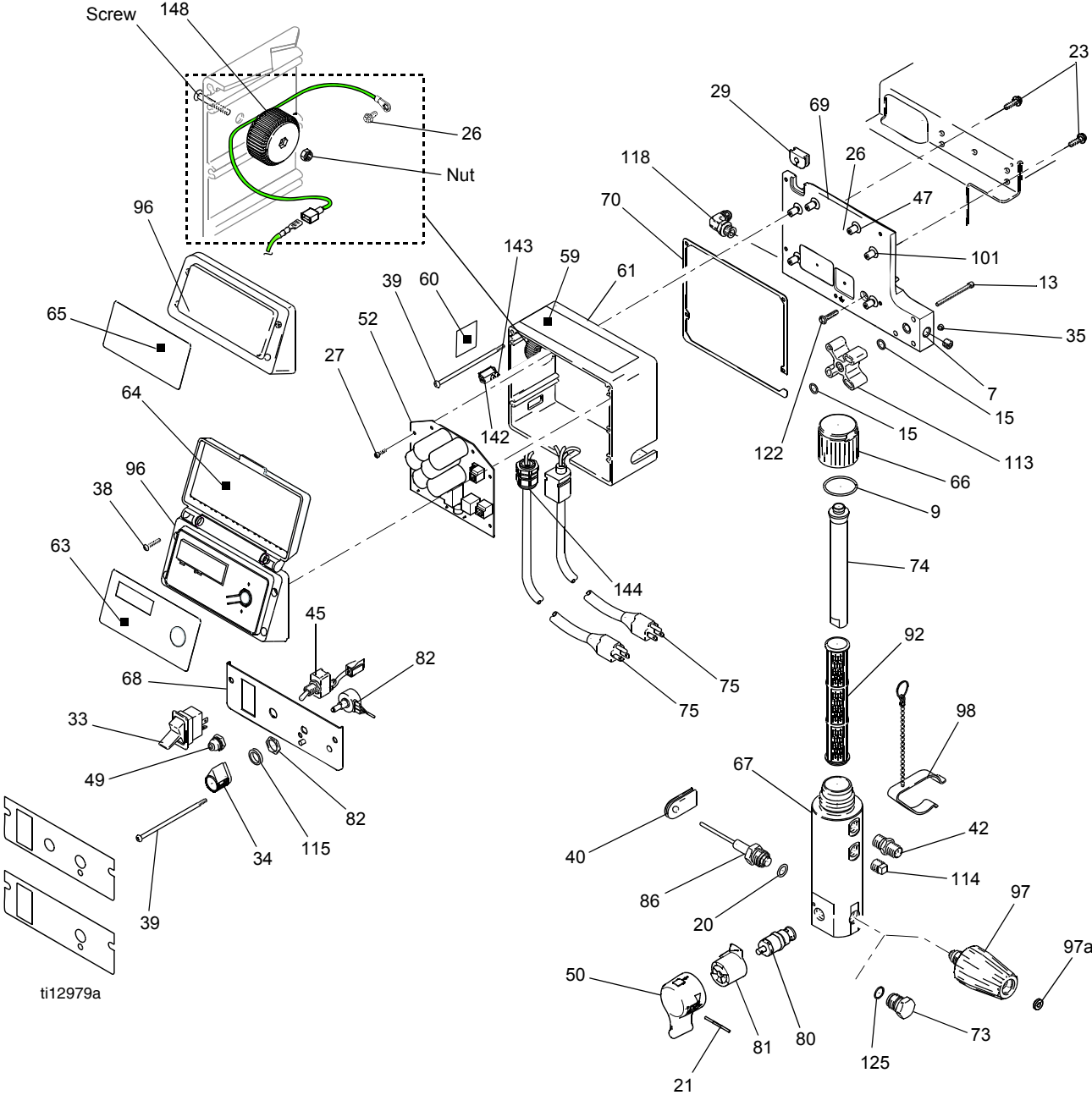
## 695/795 Lo-Boy Series A; 695 Hi-Boy Series A - C; 795 Hi-Boy Series A, B; 1095/1595/Mark V Series A

Ref.	Part	Description	Qty.	Ref.	Part	Description	Qty.
7	100721	PLUG, pipe	1		15H065	1595, Mark V	
9	117285	PACKING, o-ring	1	80	257352	VALVE, prime	1
13	C19817	SCREW, cap, socket	3	81	224807	BASE, valve	1
15	107505	PACKING, o-ring	2	82	256219	POTENTIOMETER, assembly	1
20	111457	PACKING, o-ring	2	86	243222	TRANSDUCER, pressure control; <i>includes 20</i>	1
21	15C972	PIN, grooved	1				
23	110963	SCREW, cap, flng	2	92		FILTER, fluid	1
26	114391	SCREW, grounding	1		244071	30 mesh	1
27	113045	SCREW, sems, mach, phillips	5		244067	60 mesh, original equipment	1
29	15D087	GROMMET	1		244068	100 mesh	1
33	15C979	SWITCH, rocker	1		244069	200 mesh	
34	116167	KNOB, potentiometer	1	96		COVER, control	
35	105510	WASHER, lock, spring	3		15D456	Ultra Standard	1
38	116252	SCREW, #10 taptite phillips	4		287286	Ultra Premium; <i>includes 38, 63, 64, &amp; 65</i>	1
39	112381	SCREW, mach, pan hd	4				
40	15D033	GROMMET, transducer	1		825026	Ultimate Premium; <i>includes 38, 63 64, &amp; 65</i>	
42		NIPPLE, adapter	1				
	164672	695, 795, 1095, 1595		97	287293	VALVE, Autoclean	1
	162485	Mark V				Premium Models; <i>includes 97a</i>	
45	119541	SWITCH, toggle	1	97a	15F950	GASKET	1
47	186620	LABEL, symbol, ground	1	98		KIT, repair, clamp, trigger	1
49	195428	BOOT, toggle	1		244346	Premium Models	
50	15C780	HANDLE	1	101	15D160	STUD, board	5
52	287941	CONTROL, board; (2 capacitor) <i>includes 27, 102</i>	1	102	114420	SCREW, mach, pmh, sems	1
				113	15F844	SPACER, manifold	1
59▲	15D523	LABEL, warning	1	114	104813	PLUG, pipe	1
60▲	195833	LABEL, warning	1	115	15C973	GASKET	1
61		BOX, control	1	118		FITTING, hydraulic	1
	15G953	695, 795, 1095			120185	FITTING, hydraulic Mark V	
	15G700	1595, Mark V			116793	FITTING, elbow, hydraulic	
63	198648	LABEL, LCD	1			695, 795,	
64	15D063	LABEL, instruction	1		118896	FITTING, elbow, hydraulic 1095,	
65		LABEL, ctrl, box cover	1			1595	
	15K394	Ultra Premium Digital Display		122	115478	SCREW, mach torx/slt	1
	15X507	Ultra Standard		125	15D541	SEAL, washer	1
	196843	Ultimate Premium Digital Display		142	120059	SWITCH, rocker 1595, Mark V	1
	15B705	Ultimate Standard		143	15G935	CONNECTOR, electrical 1595,	1
66	287285	CAP, filter; <i>includes 9, 74</i>	1			Mark V	
67	15C838	BASE, filter	1	144	116171	BUSHING, strain relief 1595,	1
68		PANEL, control	1			Mark V	
	15C947	Mark V		147	15G769	LABEL	1
	15G627	695, 795, 1095, 1595		148	287943	KIT, repair, coil; <i>includes Nut &amp; Screw</i>	1
69	15C840	PLATE, power bar	1	172	241735	HOSE, cpld, 1/4 in. x 3 ft	1
70	15D036	GASKET, control box	1	173	159841	ADAPTER, 1/4 npt(f) x 3/8 npt(m)	1
73	248314	PLUG, Autoclean; <i>includes 125</i>	1	174	189018	SWIVEL, 1/4 npsm(f) x 1/4 npsm(m)	1
74	15C766	TUBE, diffusion	1				
75		CORD, power	1				
	15H064	695, 795, 1095					
	15H066	1595, Mark V ETLC					

▲ Extra Danger and Warning tags and labels available free.

# Parts Drawing

695/795 Lo-Boy Series B; 695 Hi-Boy Series D;  
795 Hi-Boy Series C; 1095/1595/Mark V Series B  
(Models with SIX large capacitors on control board)



ti12979a

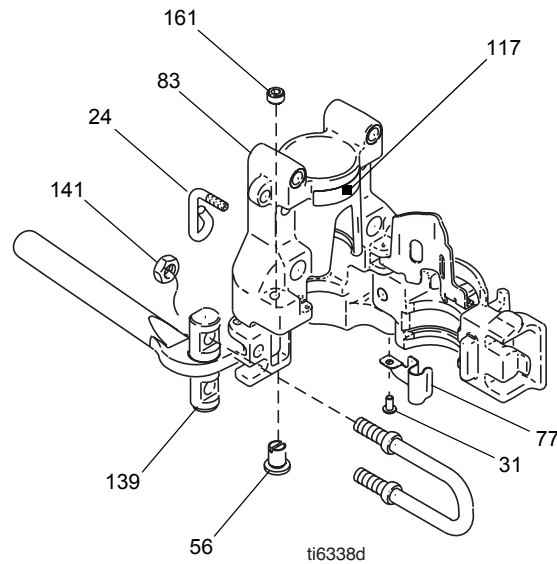
# Parts List

## 695/795 Lo-Boy Series B; 695 Hi-Boy Series D; 795 Hi-Boy Series C; 1095/1595/Mark V Series B

Ref.	Part	Description	Qty.	Ref.	Part	Description	Qty.
7	100721	PLUG, pipe	1		15H065	1595, Mark V	
9	117285	PACKING, o-ring	1	80	257352	VALVE, prime	1
13	C19817	SCREW, cap, socket	3	81	24A382	BASE, valve	1
15	107505	PACKING, o-ring	2	82	256219	POTENTIOMETER, assembly	1
20	111457	PACKING, o-ring	2	86	243222	TRANSDUCER, pressure control;	1
21	15C972	PIN, grooved	1			<i>includes 20</i>	
23	110963	SCREW, cap, flng	2	92		FILTER, fluid	1
26	114391	SCREW, grounding	1		244071	30 mesh	1
27	113045	SCREW, sems, mach, phillips	6		244067	60 mesh, original equipment	1
29	15V996	GROMMET	1		244068	100 mesh	1
33	15C979	SWITCH, rocker	1		244069	200 mesh	1
34	116167	KNOB, potentiometer	1	96		COVER, control	
35	105510	WASHER, lock, spring	3		15D456	Ultra Standard	1
38	116252	SCREW, #10 taptite phillips	4		287286	Ultra Premium; <i>includes 38, 63,</i>	1
39	112381	SCREW, mach, pan hd	4			<i>64, &amp; 65</i>	
40	15D033	GROMMET, transducer	1		825026	Ultimate Premium; <i>includes 38, 63</i>	
42		NIPPLE, adapter	1			<i>64, &amp; 65</i>	
	164672	695, 795, 1095, 1595		97	287293	VALVE, Autoclean	1
	162485	Mark V				Premium Models; <i>includes 97a</i>	
45	119541	SWITCH, toggle	1	97a	15F950	GASKET	1
47	186620	LABEL, symbol, ground	1	98		KIT, repair, clamp, trigger	1
49	195428	BOOT, toggle	1		244346	Premium Models	
50	15V591	HANDLE	1	101	15V938	STUD, board	6
52	257448	CONTROL, board; <i>includes 27, 102</i>	1	102	114420	SCREW, mach, pmh, sems	2
59▲	15D523	LABEL, warning	1	113	15F844	SPACER, manifold	1
60▲	195833	LABEL, warning	1	114	104813	PLUG, pipe	1
61		BOX, control	1	115	15C973	GASKET	1
	15G953	695, 795, 1095		118		FITTING, hydraulic	1
	15G700	1595, Mark V			120185	FITTING, hydraulic Mark V	
63	198648	LABEL, LCD	1		116793	FITTING, elbow, hydraulic	
64	15D063	LABEL, instruction	1			695, 795,	
65		LABEL, ctrl, box cover	1		118896	FITTING, elbow, hydraulic 1095,	
	15K394	Ultra Premium Digital Display				1595	
	15K384	Ultra Standard		122	115478	SCREW, mach torx/slt	1
	196843	Ultimate Premium Digital Display		125	15D541	SEAL, washer	1
	15B705	Ultimate Standard		142	120059	SWITCH, rocker 1595, Mark V	1
66	287285	CAP, filter; <i>includes 9, 74</i>	1	143	15G935	CONNECTOR, electrical 1595,	1
67	15C838	BASE, filter	1			Mark V	
68		PANEL, control	1	144	116171	BUSHING, strain relief 1595,	1
	15X480	Mark V Panel Control				Mark V	
	15X902	Mark V Label		148	287943	KIT, repair, coil; <i>includes Nut &amp; Screw</i>	1
	15X480	695, 795, 1095, 1595 Panel Control		172	241735	HOSE, cpld, 1/4 in. x 3 ft	1
	15X620	695, 795, 1095, 1595 Label		173	159841	ADAPTER, 1/4 npt(f) x 3/8 npt(m)	1
69	15V937	PLATE, power bar	1	174	189018	SWIVEL, 1/4 npsm(f) x 1/4 npsm(m)	1
70	15D036	GASKET, control box	1				
73	248314	PLUG, Autoclean; <i>includes 125</i>	1				
74	15C766	TUBE, diffusion	1				
75		CORD, power	1				
	15H064	695, 795, 1095					
	15H066	1595, Mark V ETLC					

▲ Extra Danger and Warning tags and labels available free.

# Parts Drawing - Bearing Housing 287923

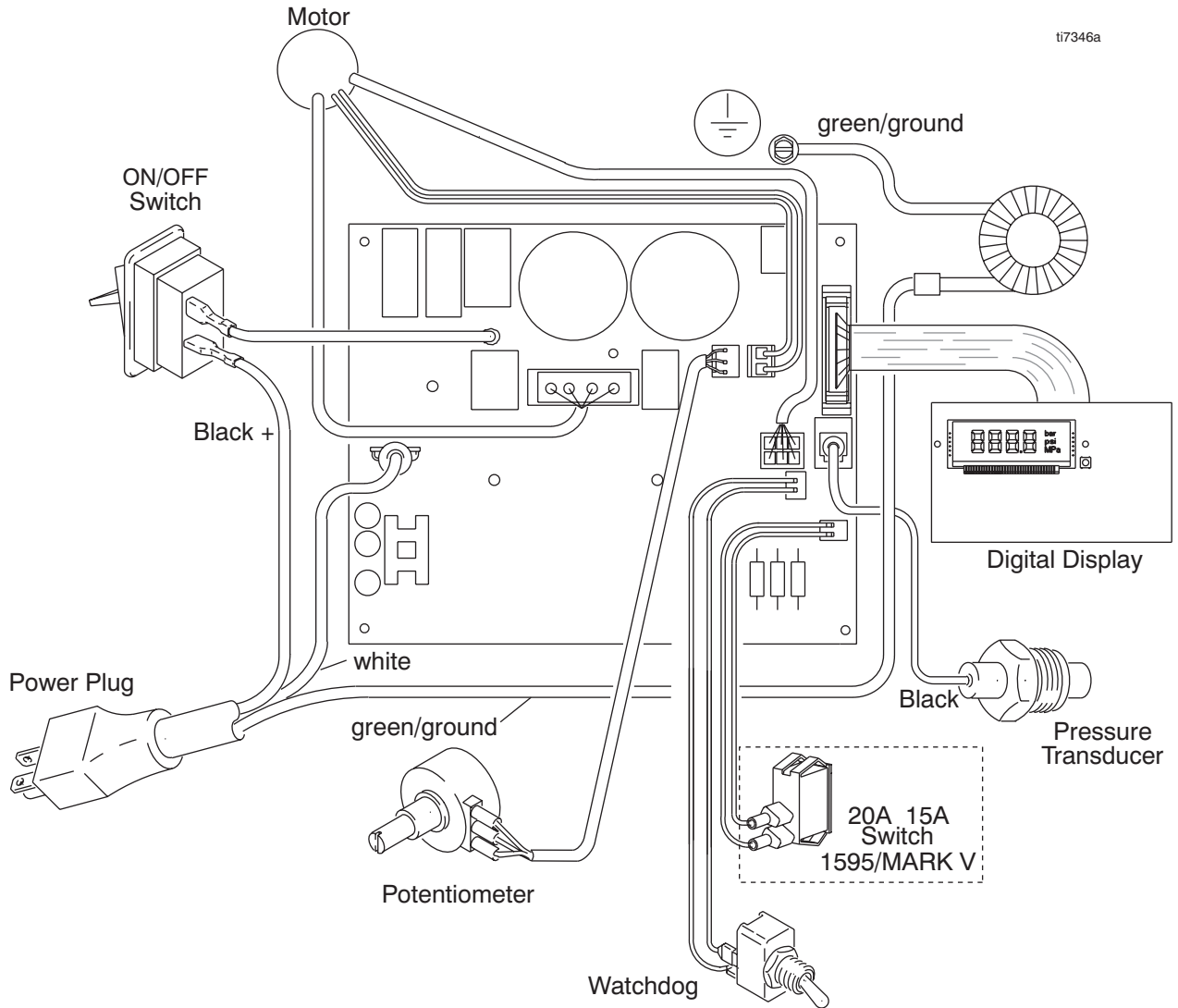


# Parts List - Bearing Housing 287523

Ref No.	Part No.	Description	Qty	Ref No.	Part No.	Description	Qty
				83		HOUSING, bearing	1
24	15F116	LATCH, handle	1	117	187437	LABEL, torque	1
31	118444	SCREW, machine, hex washer	5	139	15E625	PIN, housing, bearing	1
56	15F498	SCREW, adjustment	1	141	111040	NUT, lock, insert, nylock	2
77	15E975	CLIP, spring	1	161	15F503	SCREW, set, socket head	1

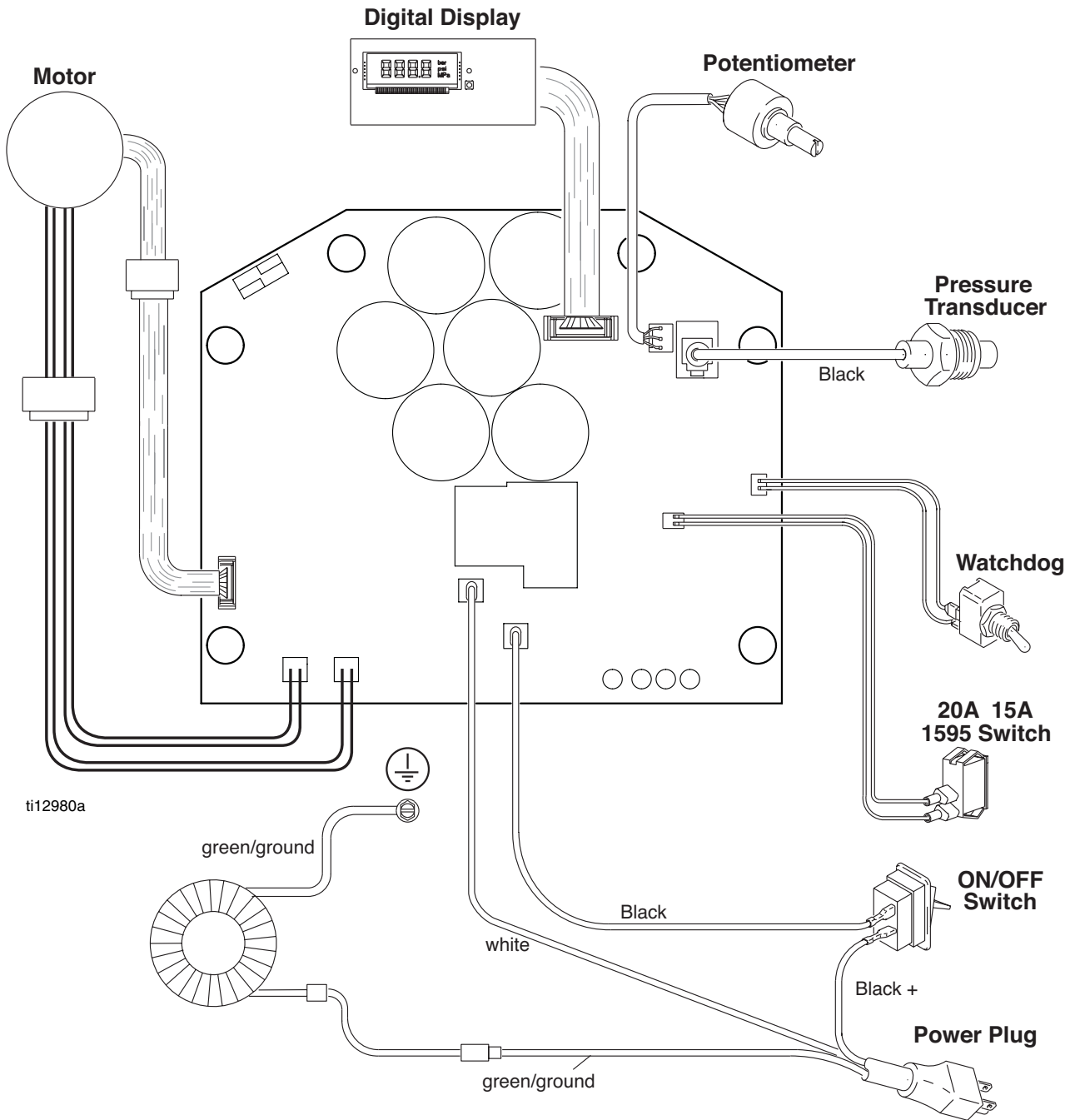
# Wiring Diagram

695/795 Lo-Boy Series A; 695 Hi-Boy Series A - C;  
795 Hi-Boy Series A, B; 1095/1595/Mark V Series A  
(Models with only TWO large capacitors on control board)



# Wiring Diagram

695/795 Lo-Boy Series B; 695 Hi-Boy Series D;  
795 Hi-Boy Series C; 1095/1595/Mark V Series B  
(Control board is not rectangular and has SIX large capacitors)







**TO PLACE AN ORDER OR FOR SERVICE**, contact your Graco distributor, or call **1-800-690-2894** to identify the nearest distributor.

*All written and visual data contained in this document reflects the latest product information available at the time of publication.  
Graco reserves the right to make changes at any time without notice.*

This manual contains English. MM 311362

**Graco Headquarters:** Minneapolis

**International Offices:** Belgium, China, Japan, Korea

**GRACO INC. P.O. BOX 1441 MINNEAPOLIS, MN 55440-1441**

[www.graco.com](http://www.graco.com)

1/2006 Rev 4/2009