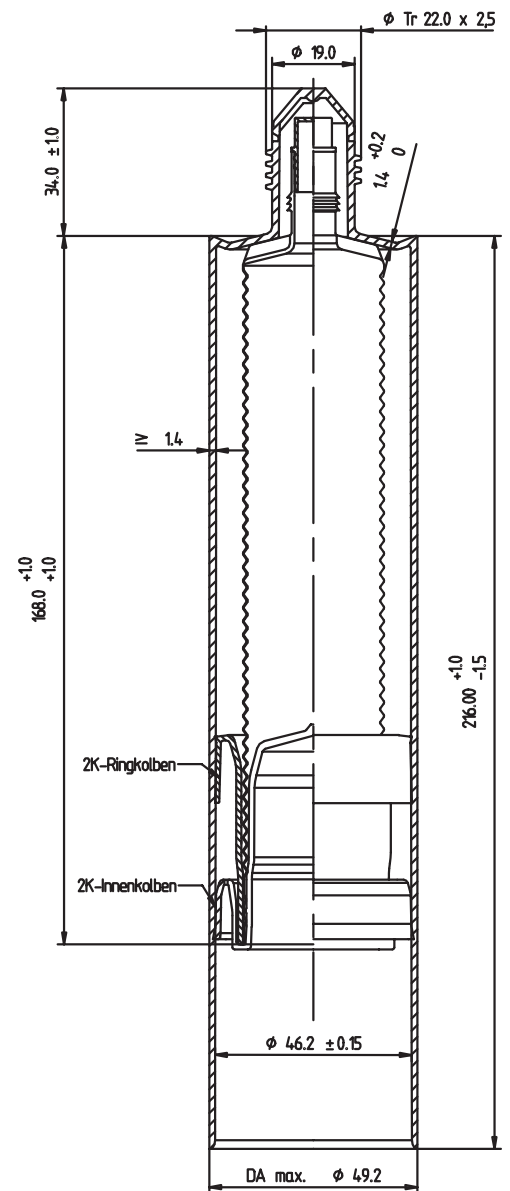


Cartridges

2-component cartridges

For two-component expansion adhesives and foams: two incompatible product components are kept separate from each other, and brought together in defined proportions, mixed and dispensed only when being applied. The shaped inner cartridge folds up on use. The package has the same dimensions as a standard sealant cartridge and thus can be extruded with a standard sealant dispensing device.



Technical specifications

| | |
|-----------------|------------|
| Material: | PE and AL |
| Mixing ratio: | 1:1 |
| Contents: | 2 x 100 ml |
| Packaging unit: | 140 pieces |

Supplementary system components

2K ring plungers,
2k inner plungers,
normal commercial static mixer

Fischbach KG
Büchlerhausen 18
D-51766 Engelskirchen, Germany

Fischbach Korea Co., Ltd.
Telefon: +82.2.3452.3091
Telefax: +82.2.3452.3095

Fischbach Belgium N.V.
Telefon: +32.3710.9621
Telefax: +32.3710.9631

Fischbach Ibérica, S.A.
Telefon: +34.972.168487
Telefax: +34.972.168324

www.fischbach-fi.com
Telefon: +49.2263.6090
Telefax: +49.2263.60358

Fischbach U.K. Ltd.
Telefon: +44.1928.579320
Telefax: +44.1928.579403

Fischbach USA Inc.
Telefon: +1.270.769.9333
Telefax: +1.270.769.9623

Fischbach GmbH & Co.KG
Telefon: +49.3522.5285 0
Telefax: +49.3522.528511