

Shaft and Bearing Kits

406810B

Husky® 1050 Diaphragm Pumps

ENG

Shaft Kits 24B656 and 24D731

Includes 1" shaft, bearings and u-cups

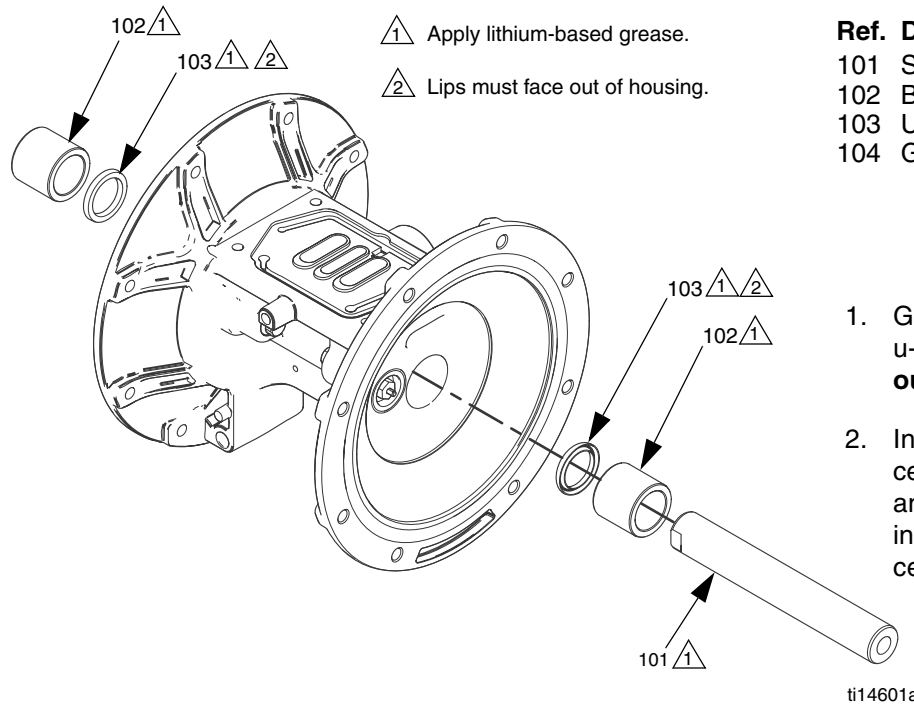
Bearing Kits 24B658 and 24D732

Includes bearings and u-cups



Important Safety Instructions

Read all warnings and instructions in the Husky® 1050 Air-Operated Diaphragm Pump Repair/Parts manual. Save all instructions.



Ref.	Description	Qty.
101	SHAFT, center, 1"	1
102	BEARING, shaft, 1"	2
103	U-CUP	2
104	GREASE, packet, lithium-based	1

- Grease and install the diaphragm shaft u-cup packings (103) so the lips face **out** of the housing.
- Insert the new bearings (102) into the center housing. Use a press or a block and rubber mallet to press-fit the bearing so it is flush with the surface of the center housing.

Graco Inc. P.O. Box 1441 Minneapolis, MN 55440-1441
406810 Rev. B 11/2009
Copyright 2009, Graco Inc. is registered to ISO 9001