

GENUINE GRACO PARTS AND ACCESSORIES



# 15U955 Injection Kit

For ProMix<sup>®</sup> 2KS Proportioners using Dynamic Dosing

406715A



### Important Safety Instructions

Read all warnings and instructions in manual 312781. Save those instructions.

Ref.	Description	Qty.
1	O-RING, housing	2
2	O-RING, integrator base	1
3	RESTRICTOR, injection; .020	1
4	RESTRICTOR, injection; .030	1
5	RESTRICTOR, injection; .040	1
6	RESTRICTOR, injection; .050	1
7	RESTRICTOR, injection; .060	1
8	RESTRICTOR, injection; .070	1
9	CAP, injection	1

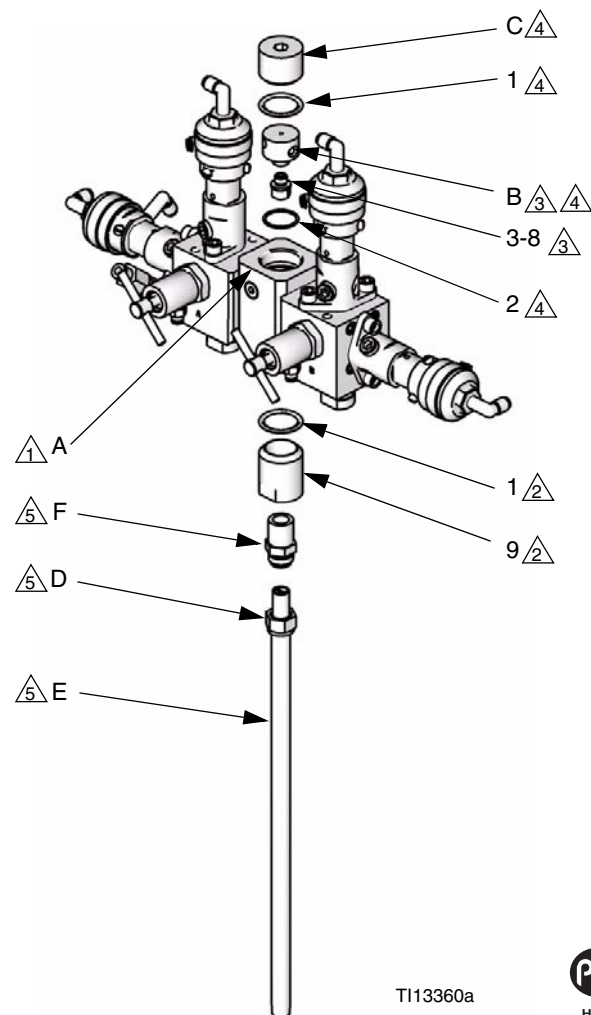
1 Remove all parts from integrator manifold body (A) and rotate body 180°, as shown.

2 Install new o-ring (1) and cap (9) in body (A).

3 Select desired restrictor (3-8) and install in base (B).

4 Assemble new o-ring (2), restrictor and base, new o-ring (1), and plug (C) as shown.

5 Unscrew nut (D) from unused u-tube to remove mixer tube (E). Remove 1/4 npt(m) fitting (F) from old integrator cap. Install fitting (F) in injection cap (9). Install mixer tube (E) and secure with nut (D).



**Graco Inc. P.O. Box 1441 Minneapolis, MN 55440-1441**

406715 Rev, A 12/2008

Copyright 2008, Graco Inc. is registered to I.S. EN ISO 9001

TI13360a

