



FUSION™

Solvent Purge Plural-Component Gun



*Model shown
248597*

NEW!

High-performance plural-component guns designed to spray at 1:1 and non-standard ratios

FUSION SOLVENT PURGE - THE BEST GUN ON THE MARKET!

- Easily converts to a mechanical-purge impingement gun - no other gun can do this!
- Minimizes material and solvent waste, reducing costs and maintenance time
- Advanced stainless steel mixing element with high-pressure impingement AND standard static tube system
- Handles a wide range of standard and non-standard ratios
- Graco's patented GHD521 RAC™ tip for easy cleaning and maintenance

PROTECTIVE COATINGS

PROVEN QUALITY. LEADING TECHNOLOGY.

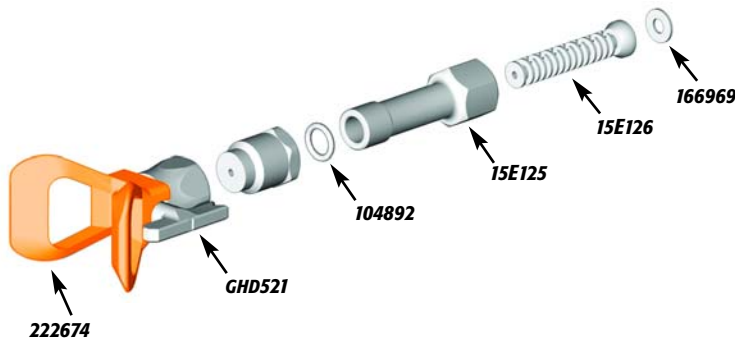
Technical Specifications

Mix ratio range	4:1 to 1:1
Maximum working fluid pressure	3500 psi (24.1 MPa, 241 bar)
Minimum working air pressure	80 psi (0.56 MPa, 5.6 bar)
Maximum working air inlet pressure	130 psi (0.9 MPa, 9 bar)
Maximum fluid temperature	200°F (94°C)
Weight	3.7 lb (1.7 kg)
Air inlet size	1/4 npt quick disconnect nipple
A Component (ISO) inlet size	-5 JIC; 1/2-20 UNF swivel
B Component (Resin) inlet size	-6 JIC; 9/16-18 UNF swivel
Wetted parts	aluminum, stainless steel, plated carbon steel, polycarbally, carbide, brass, chemically resistant O-rings
Gun dimensions	7.5 in (191 mm) x 8.3 in (703 mm) x 3.1 in (79 mm)
Air flow range at 100 psi (0.7 MPa, 7 bar) pressure static	0.9 - 8.8 scfm (0.03 - 0.25 m ³ /min)
Instruction manual	310648

Ordering Information

248597	Solvent purge manual spray gun
248647	Machine mount auto solvent purge gun with manual solvent purge
248603	Kit to convert standard mechanical purge to solvent purge gun
Includes the following parts:	
104892	O-ring packing
15E125	Housing
15E126	3 in (76 mm) static mixer
166969	Gasket
222674	Tip guard
GHD521	RAC (Reverse-A-Clean) tip

For GHDxx tip information, please reference 300621B at www.graco.com



Accessories

Gun Parts

246357	40 mesh filter screens, 10 pack
246358	60 mesh filter screens, 10 pack
246359	80 mesh filter screens, 10 pack
246731	Check valve (ISO, A)
246352	Check valve (Res, B)
246356	Stem, manifold valve
111316	Solvent valve O-ring
248641	Solvent stem kit
248279	Fusion lubricant, 10 pack

Gun Cleaning

248139	Gun flush, 1 qt (0.9 l)
248229	Guns flush, 5 gal (19 l)
15D546	Fusion gun cleaning kit

Repair Kits

248887	Complete O-ring kit for Fusion solvent purge gun
248001	Purge rod repair kit
248002	Mechanical-purge gun handle repair kit
248003	Purge rod seal kit, 4 pack

Solvent Supply

232223	23:1 Monark wall mounted, fluid filter and siphon hose
232434	23:1 Monark pail mounted, fluid filter, CS
234725	30:1 Merkur cart mounted, bare
234726	40:1 Merkur cart mounted, bare
233899	30:1 Merkur wall mounted, bare
233900	40:1 Merkur wall mounted, bare

Solvent Supply Hoses

214705	3/8 in x 50 ft (9.5 mm x 15 m), MWP 3000, 3/8 npt (mbe)
214703	3/8 in x 25 ft (9.5 mm x 7.5 m), MWP 3000, 3/8 npt (mbe)
238712	3/16 in x 25 ft (4.8 mm x 7.5 m), MWP 4100, 1/4 npsm (fbe)
238826	1/4 in x 25 ft (6.4 mm x 7.5 m), MWP 4100, 1/4 npsm (fbe)
238827	1/4 in x 50 ft (6.4 mm x 15 m), MWP 4100, 1/4 npsm (fbe)

Extra Drill Kits

246814	Clean-out drill kit, #55 size, 0.046 in (1.18 mm)
246629	Clean-out drill kit, #58 size, 0.042 in (1.07 mm)
246808	Clean-out drill kit, #60 size, 0.040 in (1.02 mm)
246807	Clean-out drill kit, #67 size, 0.032 in (0.81 mm)
246630	Clean-out drill kit, #69 size, 0.029 in (0.74 mm)
246815	Clean-out drill kit, #73 size, 0.024 in (0.61 mm)
246984	Clean-out drill kit, #74 size, 0.023 in (0.57 mm)
246631	Clean-out drill kit, #76 size, 0.020 in (0.51 mm)
246816	Clean-out drill kit, #77 size, 0.018 in (0.46 mm)
246817	Clean-out drill kit, #81 size, 0.013 in (0.33 mm)
119386	20-piece clean-out drill kit

All written and visual data contained in this document are based on the latest product information available at the time of publication. Graco reserves the right to make changes at any time without notice.

Call today for product information or to request a demonstration.

1.877.84GRACO (1-877-844-7226) or visit us at www.graco.com.

©2004 Graco Inc. Form No. 336280 Rev. A 7/04 Printed in the U.S.A.

All other brand names or marks are used for identification purposes and are trademarks of their respective owners.

