

Air Manifold Kit 257784 for AA30 Air Assisted Spray Gun (FLAT Tip) 313611A




- This manual contains kit installation instructions only -



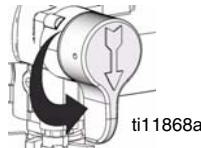
Important Safety Instructions

For detailed sprayer information and warnings, see Operation manual 313316 included with FinishPro 290 Sprayer.

Pressure Relief Procedure

						
To help prevent injection injuries, follow this procedure when you stop spraying and before you service or clean the sprayer, remove parts, or repair leaks.						

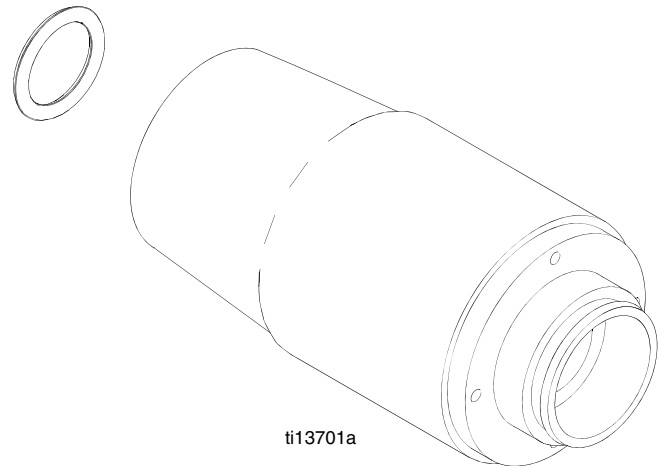
1. Turn Power switch OFF. Unplug sprayer.
2. Turn Spray/Prime valve to PRIME to relieve pressure. Turn pressure control knob left (counterclockwise) to minimize pressure.
3. Trigger gun.
4. Put trigger safety in safety ON position.



ti11868a

NOTE: Leave Spray/Prime valve in the PRIME position until you are ready to spray again.

If you suspect that the spray tip or hose is completely clogged or that pressure has not been fully relieved after following the steps above, VERY SLOWLY loosen the tip guard retaining nut or hose end coupling to relieve pressure gradually. Then loosen it completely. Clear the tip or hose obstruction.



ti13701a

Air Manifold Kit 257784

Installation

1. Relieve pressure. Set trigger lock (11a).
2. Disconnect air hose from gun.
3. Disconnect bracket (36) from retainer (16) and swivel out of the way.
4. Remove tip guard (29) from air cap manifold (26).
5. Squeeze trigger (11) and remove set screw (39) at base of air cap manifold (26). Unscrew air cap manifold (26) and air tube assembly (31) from front of the gun.
6. Remove air tube assembly (31) from air cap manifold (26).
7. Install gasket (30) and the air tube assembly (31) into new manifold (26). Torque to 110-120 in-lb (12-15 N•m). Do not over tighten.

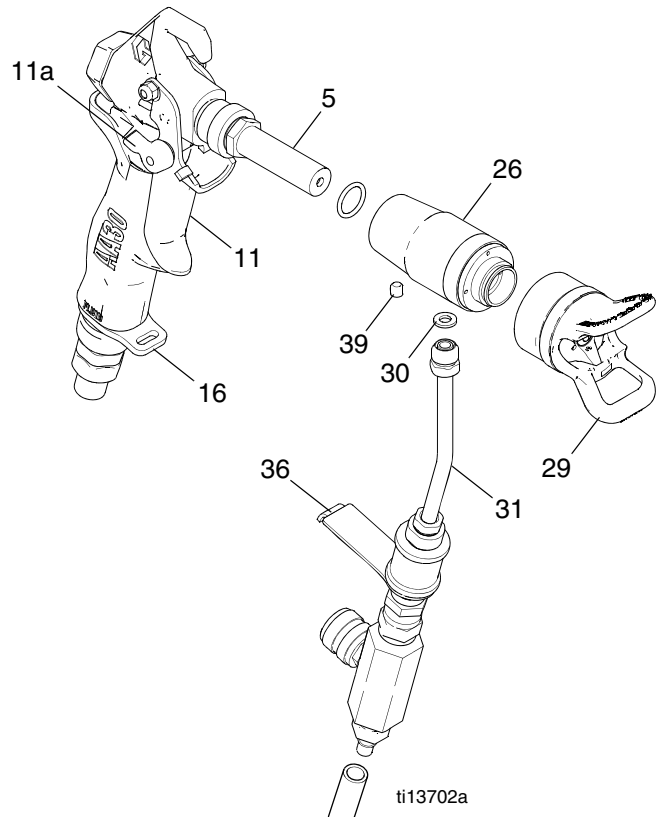
NOTE: The bend in the air tube should be facing toward front of manifold.

8. Screw air cap manifold (26) and air tube assembly (31) to front of gun until end of manifold is flush with the end of the diffuser housing (5).

NOTE: End of diffuser housing must be flush or sticking out beyond manifold to ensure a proper seal.

NOTE: If air tube is not in downward position, continue to thread manifold until tube is in downward position.

9. Connect bracket (36) to retainer (16).
10. Pull trigger (11) and install set screw (39). Torque to 10-12 in-lb (1.1-1.4 N•m).
11. Install FLAT tip guard assembly (29) on the gun. Tighten securely.



All written and visual data contained in this document reflects the latest product information available at the time of publication. Graco reserves the right to make changes at any time without notice.

This manual contains English. MM 313611

Graco Headquarters: Minneapolis
International Offices: Belgium, China, Japan, Korea
GRACO INC. P.O. BOX 1441 MINNEAPOLIS, MN 55440-1441
Copyright 2009, Graco Inc. is registered to ISO 9001
www.graco.com