

## Handle/Swivel Kit 257781 for AA30 Air Assisted Spray Gun

313608A




*- This manual contains kit installation instructions only -*



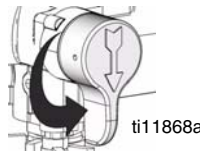
### Important Safety Instructions

For detailed sprayer information and warnings, see Operation manual 313316 included with FinishPro 290 Sprayer.

### Pressure Relief Procedure

						
To help prevent injection injuries, follow this procedure when you stop spraying and before you service or clean the sprayer, remove parts, or repair leaks.						

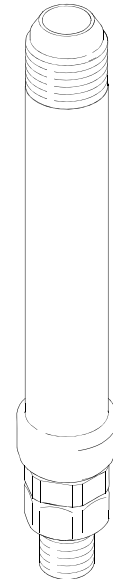
1. Turn Power switch OFF. Unplug sprayer.
2. Turn Spray/Prime valve to PRIME to relieve pressure. Turn pressure control knob left (counterclockwise) to minimize pressure.
3. Trigger gun.
4. Put trigger safety in safety ON position.



ti11868a

**NOTE:** Leave Spray/Prime valve in the PRIME position until you are ready to spray again.

*If you suspect that the spray tip or hose is completely clogged or that pressure has not been fully relieved after following the steps above, VERY SLOWLY loosen the tip guard retaining nut or hose end coupling to relieve pressure gradually. Then loosen it completely. Clear the tip or hose obstruction.*

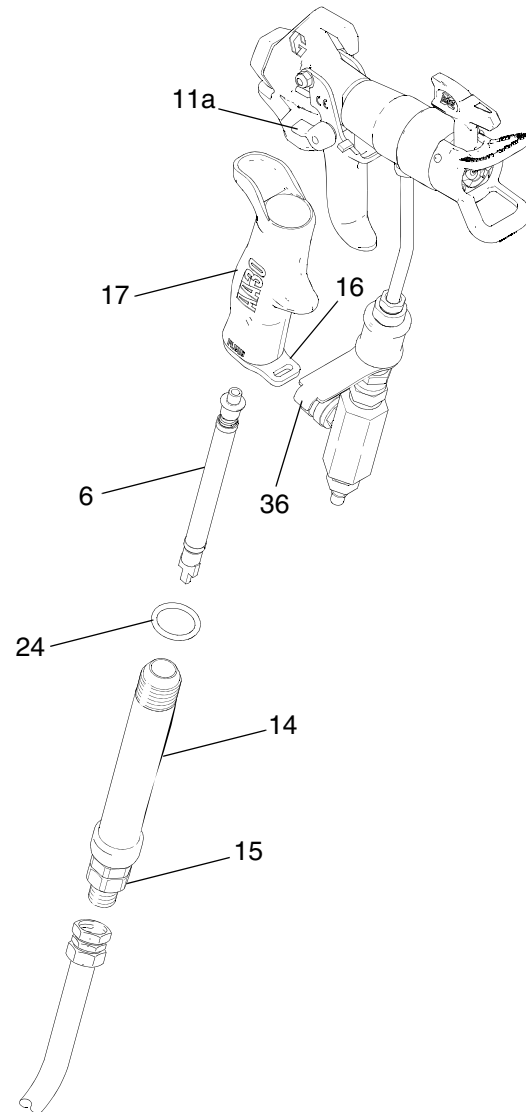


ti13695a

# Handle/Swivel Kit 257781

## Installation

1. Relieve pressure. Set trigger lock (11a).
2. Disconnect fluid hose from gun at swivel (15).
3. Disconnect bracket (36) from retainer (16) and swivel out of way.
4. Place a wrench on flats below handle and loosen from gun.
5. Unscrew handle tube (14) from gun.
6. Remove filter (6) through top of handle tube (14) and use a soft brush to clean (loosen and remove excess debris).
7. Insert clean filter into new handle tube.
8. Slide plastic handle (17) off of old handle tube (14).
9. Remove o-ring (24) from old handle tube and place onto the new handle tube.
10. Slide plastic handle (17) onto new handle tube.
11. Thread handle tube into the gun.
12. Place a wrench on the flats below the handle and tighten securely.
13. Connect bracket (36) to retainer (16).



*All written and visual data contained in this document reflects the latest product information available at the time of publication.  
Graco reserves the right to make changes at any time without notice.*

*This manual contains English. MM 313608*

**Graco Headquarters:** Minneapolis  
**International Offices:** Belgium, China, Japan, Korea  
**GRACO INC. P.O. BOX 1441 MINNEAPOLIS, MN 55440-1441**  
Copyright 2009, Graco Inc. is registered to ISO 9001  
[www.graco.com](http://www.graco.com)