

Network Interface Kit 244534 Printer Barrier Kit 244510

309313D

ENG

These kits include the parts necessary to maintain the intrinsic safety of a ProBatch™ Dispensing System when a PC or a printer is installed in a non-hazardous location. For professional use only.



Important Safety Instructions.

Read all warnings and instructions in this manual.
Save these instructions.

Installation

Grounding, Wiring, and Safety Requirements

Grounding the System

Be sure your system is connected to a true earth ground. Check your local electrical code and other equipment manuals for further grounding instructions.

Wiring Instructions

- Connections and wiring in the non-hazardous location must be prevented from contacting any hazardous location wires or terminations.
- Intrinsically safe and non-intrinsically safe wiring must be kept separate with a raceway, wire lacing, wire ties or equal.
- Non-hazardous location equipment must not have a potential that exceeds 250 volts dc or 250 volts ac RMS.

⚠ WARNING



FIRE, EXPLOSION, AND ELECTRIC SHOCK HAZARD

The ProBatch control is intrinsically safe when used without any external electrical components connected to it. If an external printer is connected to the control, the control is no longer intrinsically safe without the use of this kit.



Do not install or service this equipment unless you are trained and qualified. All wiring and electrical troubleshooting must be done by a qualified electrician. Follow the **Grounding, Wiring and Safety Requirements** below.

Conforms to ANSI/UL standards 913 and 3121 Class 1, Div. 1, Group D Hazardous Locations



Certified to CAN/CSA standards 22.2-157-92 and 1010.1-92 Class 1, Div. 1, Group D Hazardous Locations

Associated Apparatus

Installation

Installing the 244510 Printer Barrier Kit


1. Follow the **Pressure Relief Procedure** in the ProBatch System User Guide, 309300.
2. Turn off electrical power to the ProBatch control (Fig. 1).



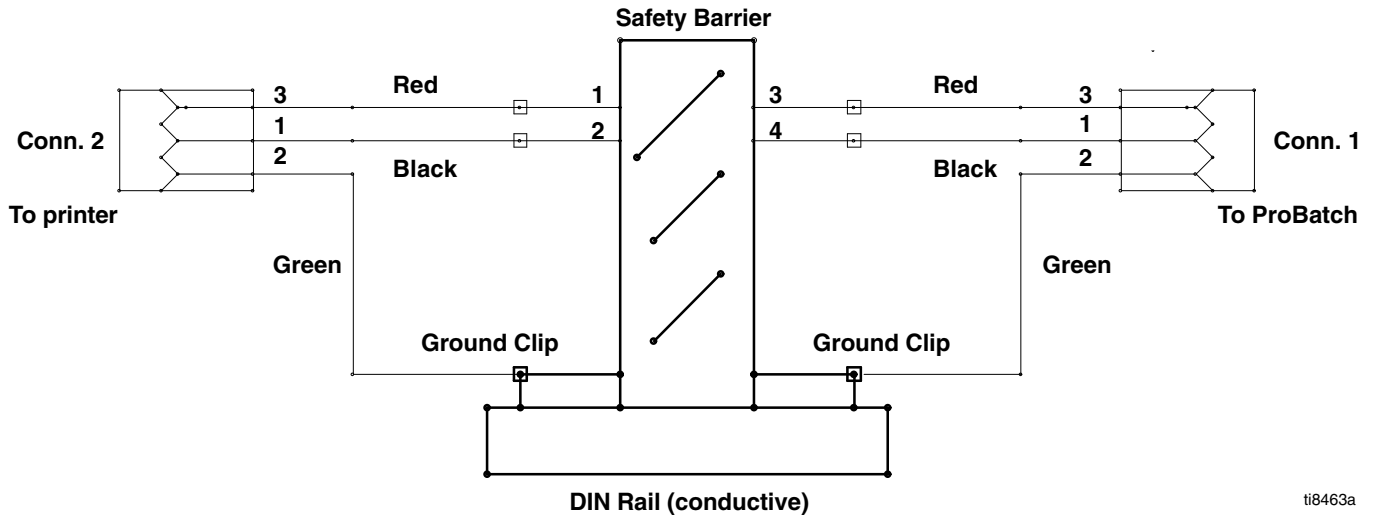
Fig. 1

3. Mount the printer barrier (30) in the non-hazardous area (Fig. 4).
4. Connect the ground wire assembly (50) to the printer barrier ground lug (C) (Fig. 4).
5. Measure the resistance between the printer barrier ground lug (C) and true earth ground. The resistance should be less than 1 ohm.

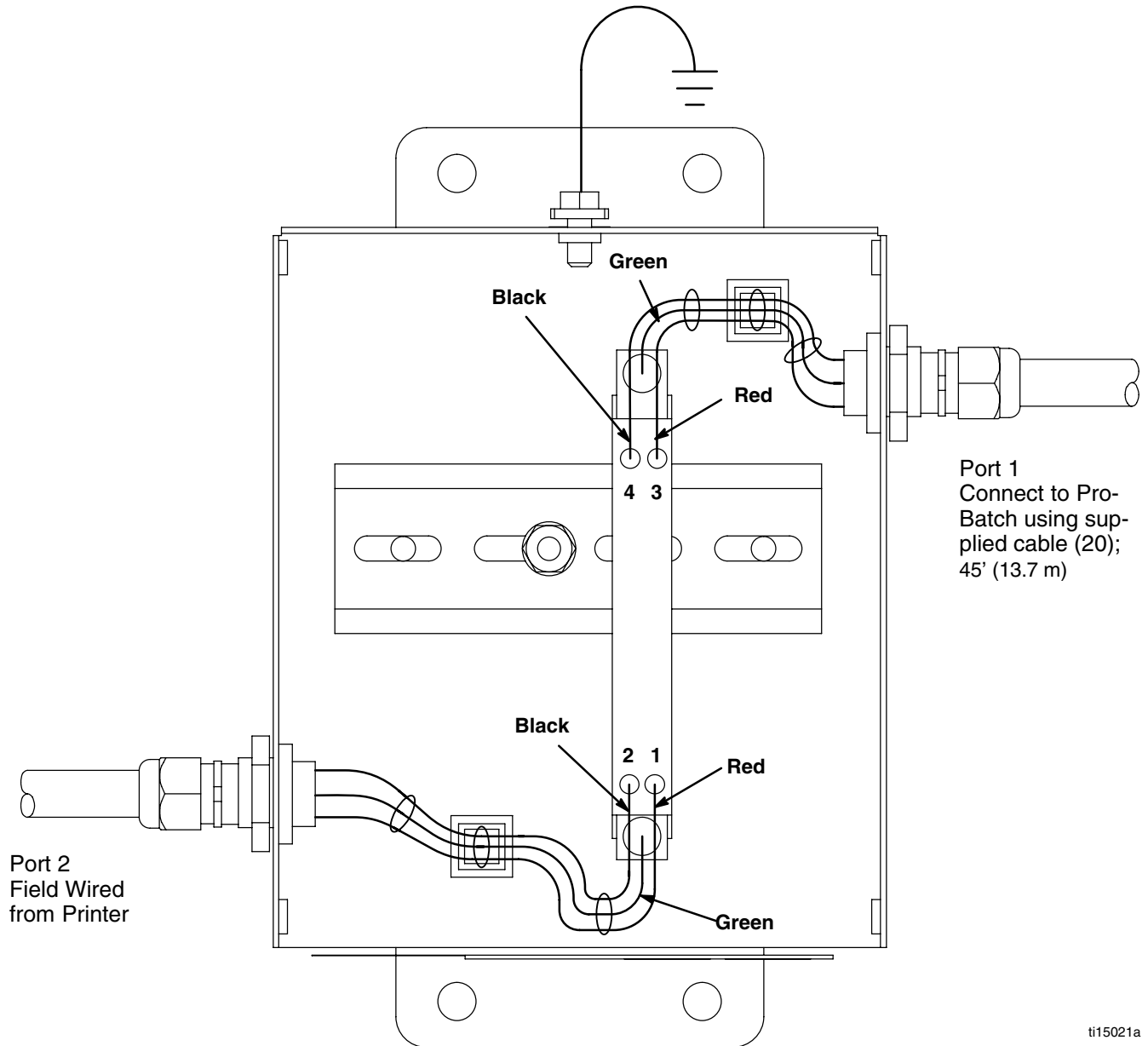
If the resistance is greater than 1 ohm, check grounding connections and the ground wire for damage. Reconnect or replace the ground wire. Do not operate the system until the problem is corrected.

6. Connect a 5 ft. (1.52 m) cable (10) (user supplied) between the printer connector (A) and Port 2 on the printer barrier (30) (Figs. 2 and 4).
7. Connect the 45 ft. (13.7 m) cable (20) between Port 1 on the printer barrier (30) and the printer cable connector  (F) on the ProBatch control (B) (Fig. 4).

Printer Barrier Kit 244510 Wiring Schematic



ti8463a



ti15021a

Fig. 2

Installing the 244534 Network Interface Barrier Kit

1. Follow the **Pressure Relief Procedure** in the ProBatch System User Guide, 309300.
2. Turn off electrical power to the ProBatch control (Fig. 1).
3. Mount the network interface (30) in the non-hazardous area (Fig. 5).
4. Connect the ground wire assembly (50) to the network interface ground lug (C) (Fig. 5).
5. Measure the resistance between the network interface ground lug (C) and true earth ground. The resistance should be less than 1 ohm.
6. Refer to the AMR Installation Guide, 309219, for communication connections to the PC.
7. Refer to the ProBatch System User Guide, 309300, for communication connections to the ProBatch control.
8. Install cables and make wire connections as shown in Figure 3.

If the resistance is greater than 1 ohm, check grounding connections and the ground wire for damage. Reconnect or replace the ground wire. Do not operate the system until the problem is corrected.

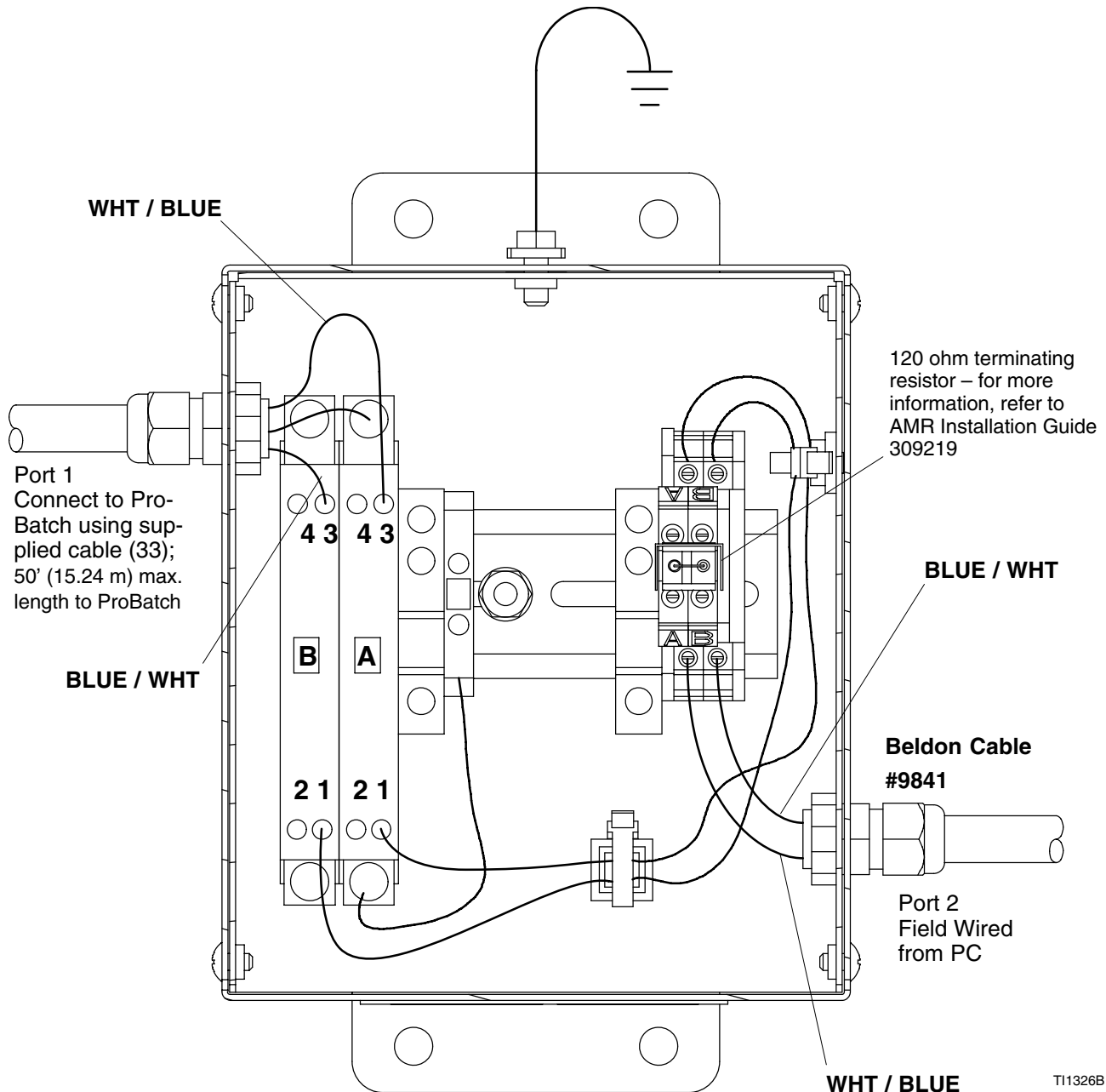


Fig. 3

Parts

244510 Printer Barrier Kit Installation

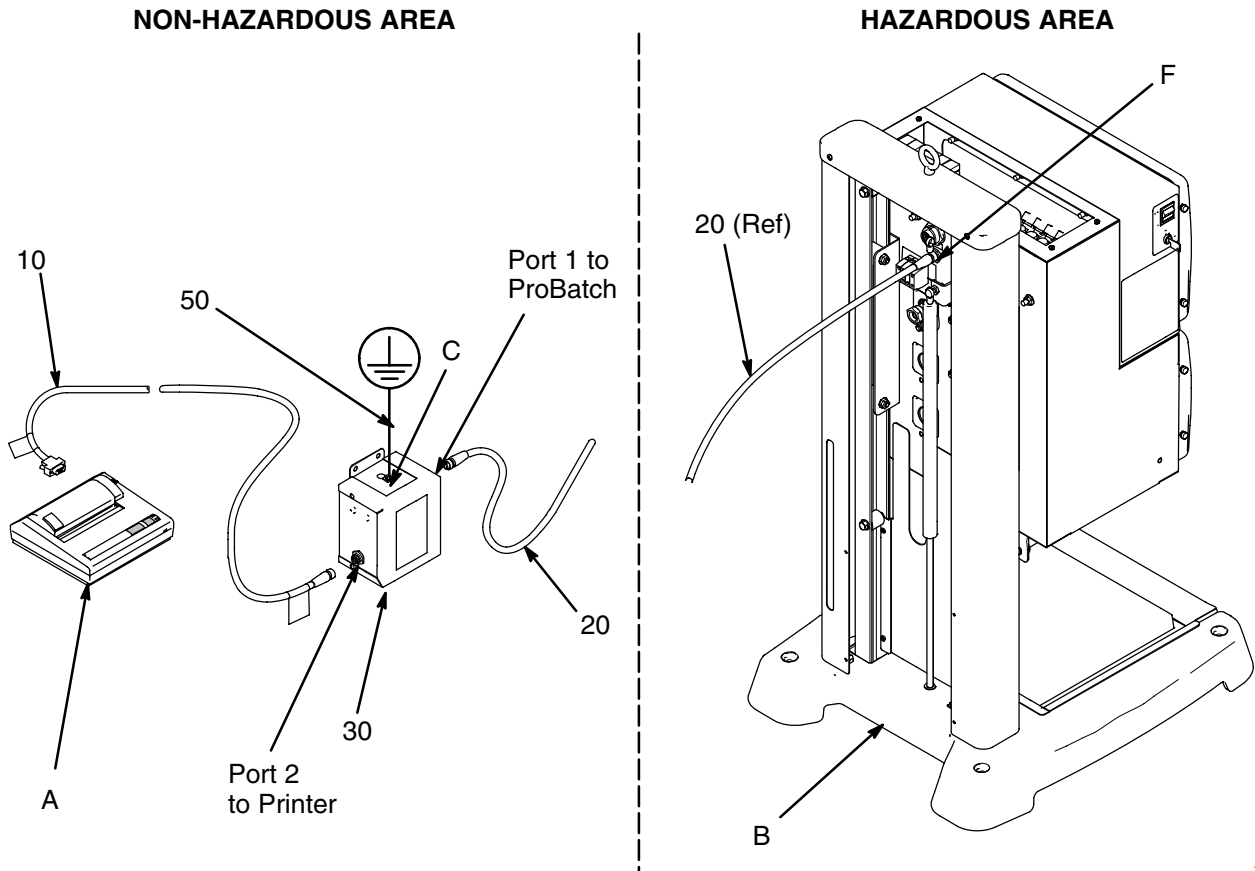


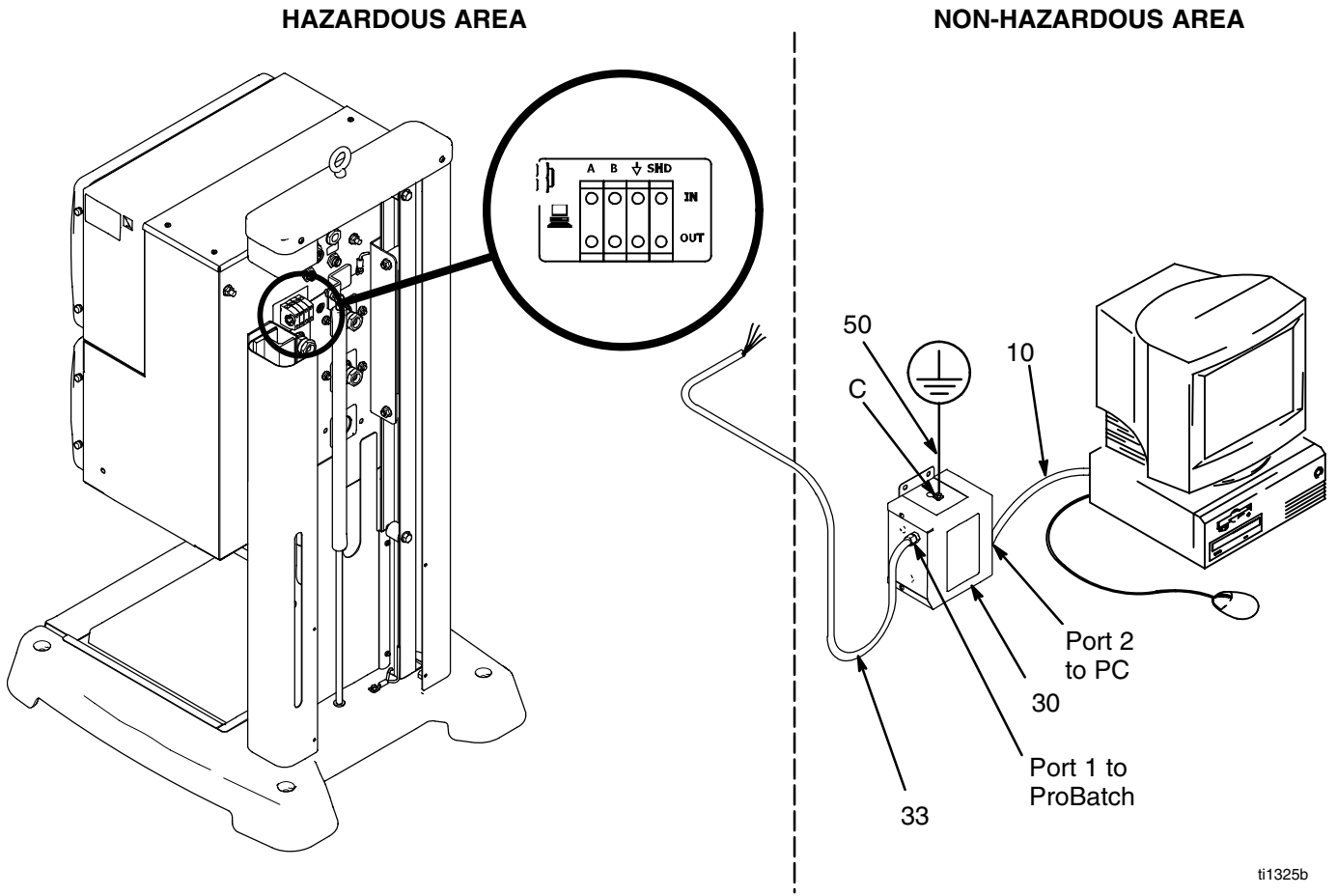
Fig. 4

TI8193B

Printer Barrier Kit Part No. 244510

Ref. No.	Part No.	Description	Qty.
10	User supplied	CABLE, 5 ft (1.52 m)	—
20	197459	CABLE, 45 ft. (13.7 m)	1
30	244509	BARRIER ASSEMBLY, printer, includes 30a–30b	1
30a	116816	• BARRIER	1
30b	115429	• FUSE, barrier	1
50	222011	WIRE ASSEMBLY, ground	1

244534 Network Interface Barrier Kit Installation



ti1325b

Fig. 5

Network Interface Barrier Kit Part No. 244534

Ref. No.	Part No.	Description	Qty.
10	User supplied	CABLE, Beldon 9841	—
30	244534	BARRIER ASSEMBLY, network, includes 30a–30b	1
30a	116817	• BARRIER	2
30b	115429	• FUSE, barrier	1
33	116897	CABLE, 50 ft. (15.24 m)	1
50	222011	WIRE ASSEMBLY, ground	1

* AMR software key and converter kit is required for installation. Refer to AMR Installation Guide 309219.

Graco Standard Warranty

Graco warrants all equipment manufactured by Graco and bearing its name to be free from defects in material and workmanship on the date of sale by an authorized Graco distributor to the original purchaser for use. With the exception of any special, extended, or limited warranty published by Graco, Graco will, for a period of twelve months from the date of sale, repair or replace any part of the equipment determined by Graco to be defective. This warranty applies only when the equipment is installed, operated and maintained in accordance with Graco's written recommendations.

This warranty does not cover, and Graco shall not be liable for general wear and tear, or any malfunction, damage or wear caused by faulty installation, misapplication, abrasion, corrosion, inadequate or improper maintenance, negligence, accident, tampering, or substitution of non-Graco component parts. Nor shall Graco be liable for malfunction, damage or wear caused by the incompatibility of Graco equipment with structures, accessories, equipment or materials not supplied by Graco, or the improper design, manufacture, installation, operation or maintenance of structures, accessories, equipment or materials not supplied by Graco.

This warranty is conditioned upon the prepaid return of the equipment claimed to be defective to an authorized Graco distributor for verification of the claimed defect. If the claimed defect is verified, Graco will repair or replace free of charge any defective parts. The equipment will be returned to the original purchaser transportation prepaid. If inspection of the equipment does not disclose any defect in material or workmanship, repairs will be made at a reasonable charge, which charges may include the costs of parts, labor, and transportation.

THIS WARRANTY IS EXCLUSIVE, AND IS IN LIEU OF ANY OTHER WARRANTIES, EXPRESS OR IMPLIED, INCLUDING BUT NOT LIMITED TO WARRANTY OF MERCHANTABILITY OR WARRANTY OF FITNESS FOR A PARTICULAR PURPOSE.

Graco's sole obligation and buyer's sole remedy for any breach of warranty shall be as set forth above. The buyer agrees that no other remedy (including, but not limited to, incidental or consequential damages for lost profits, lost sales, injury to person or property, or any other incidental or consequential loss) shall be available. Any action for breach of warranty must be brought within two (2) years of the date of sale.

Graco makes no warranty, and disclaims all implied warranties of merchantability and fitness for a particular purpose in connection with accessories, equipment, materials or components sold but not manufactured by Graco. These items sold, but not manufactured by Graco (such as electric motors, switches, hose, etc.), are subject to the warranty, if any, of their manufacturer. Graco will provide purchaser with reasonable assistance in making any claim for breach of these warranties.

In no event will Graco be liable for indirect, incidental, special or consequential damages resulting from Graco supplying equipment hereunder, or the furnishing, performance, or use of any products or other goods sold hereto, whether due to a breach of contract, breach of warranty, the negligence of Graco, or otherwise.

FOR GRACO CANADA CUSTOMERS

The parties acknowledge that they have required that the present document, as well as all documents, notices and legal proceedings entered into, given or instituted pursuant hereto or relating directly or indirectly hereto, be drawn up in English. Les parties reconnaissent avoir convenu que la rédaction du présente document sera en Anglais, ainsi que tous documents, avis et procédures judiciaires exécutés, donnés ou intentés à la suite de ou en rapport, directement ou indirectement, avec les procédures concernées.

Graco Information

For the latest information about Graco products, visit www.graco.com.

TO PLACE AN ORDER, contact your Graco distributor, or call to identify the distributor closest to you:

Phone: 612-623-6921 **or Toll Free:** 1-800-328-0211, **Fax:** 612-378-3505

*All written and visual data contained in this document reflects the latest product information available at the time of publication.
Graco reserves the right to make changes at any time without notice.*

This manual contains English. MM 309313

Graco Headquarters: Minneapolis
International Offices: Belgium, Korea, China, Japan

GRACO INC. P.O. BOX 1441 MINNEAPOLIS, MN 55440-1441

Copyright 2001, Graco Inc. is registered to ISO 9001

www.graco.com

Revised 11/2009